

## baelz 373-E45

### DESCRIPTION

Electric linear actuator with load-dependent limit switches.

### TECHNICAL SPECIFICATIONS

Actuator control: 3 point  
 Stroke: 12, 16, 22, 40, 44 mm  
 Electrical connection: 3 x M20x1.5  
 Cover: plastic, yellow  
 Manual operation: crank handle  
 Actuator: Synchronous actuator

Ambient conditions:  
 Temperature: 0 ... +50°C Relative humidity: 0 ... 75%

Yoke options:  
 Aluminum yoke for DN15 ... DN125  
 S21 - for fittings with Ø 10 mm spindle  
 S21-L - for fittings with Ø 16 mm spindle

Galvanized steel yoke for DN150  
 S41 - for fittings without cooling tube  
 S41C - for fittings with cooling tube

Type baelz 373	Weight, approx.	Power (N)	Speed (mm/min)	Power (VA)	Supply voltage	IP rating
	(kg)					
E45-40-15-S21/L	8	4000	15	11	230 V, 115 V, 24 V 50/60 Hz	IP65
E45-40-15-S41C	15 / 18					

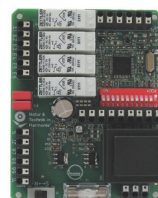
Options / Extras		
Option	Description	Remarks
2EZ-FgA	2 additional position switches with potentiometer	A= 5 kΩ or 1 kΩ Specify resistance when ordering
MP373-E45-Hzg-230VAC	Heating resistor for electric actuator 230V 50 / 60Hz	Power 15W For ambient temperatures -20°C ... + 50°C
MP373-E45-Hzg-115VAC	Heating resistor for electric actuator 115V 50 / 60Hz	
MP373-E45-Hzg-24VAC	Heating resistor for electric actuator 24V 50 / 60Hz	
MP373-E45-Hzg-OS	Outdoor model: with 1.4571 stainless steel cover with internal insulation and actuator heating.	Power 15W Outdoor model for min. temperature - 40°C
7020A-230	Controller for electric actuator 230V 50 / 60Hz (115 V / 24 V optional)	2 output signals: output 1: 0...10 V and output 2: 0...20mA (factory setting) or output 1: 2...10 V and output 2: 4...20mA please specify when ordering incl. potentiometer 5 kΩ
MP373-E45-PDB100	Extra: Profibus module DP	for actuator control; not suitable for retrofitting

Further accessories and electronic spares are available on request under MP373-E45... and ZB373-E45...

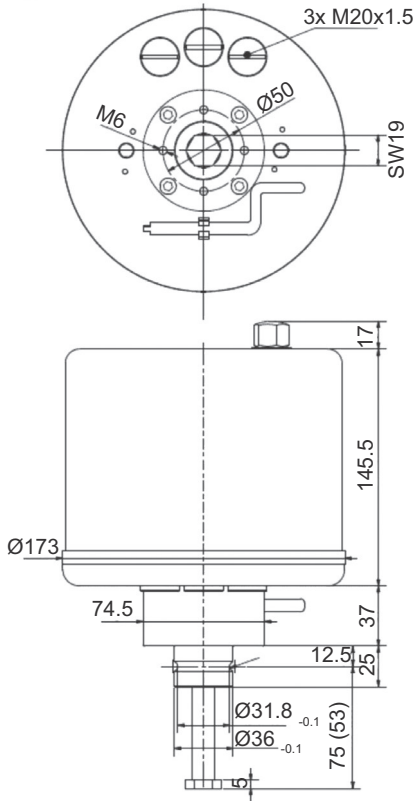
Integrated positioner for baelz 373-E45:

baelz 7020A - digital positioner

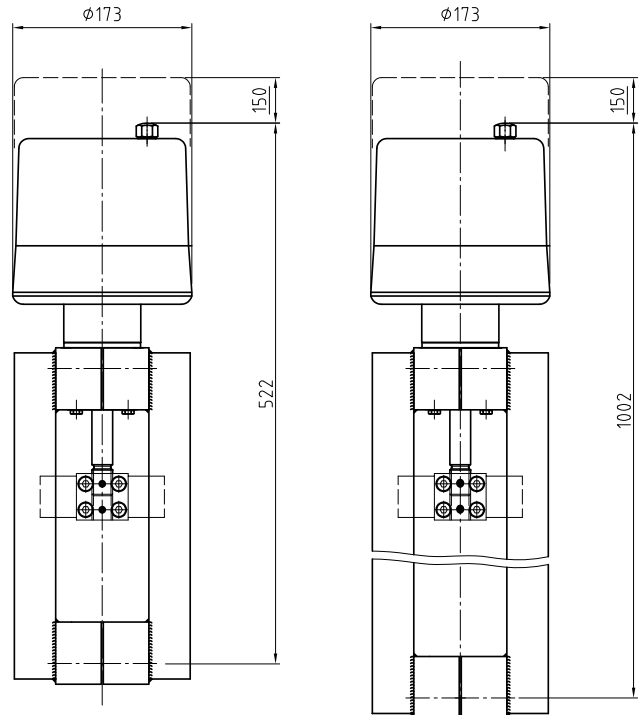
See section: 3.4 Built-in controllers for electric actuators



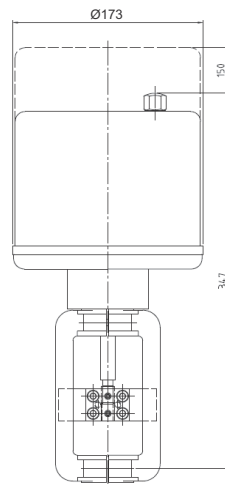
baelz 7020A



Dimensions  
baelz 373-E45  
with yoke S41 /  
S41-C (mm)



Dimensions  
baelz 373-E45  
with yoke S21  
(mm)



Wiring diagram for baelz 373-E45 electric actuator - Basic version

