

## SPI Smart Position Indicator



### SPI - Smart Position Indicator

Limit switches enclosed in a IECEx/ATEX certified protective enclosure providing an accurate and reliable Open/Close signal to the control room for manual valves. Using 30+ years of proven technology, the new Smart Position Indicator mechanically displays the position of the valve for in-field notification and digitally signals its open/closed position.

With certification for use in gas and dust explosion hazardous environments, the Smart Position Indicator helps to create a safer working environment. The compact Smart Position Indicator offers Ex e or Ex i certified limit switches complete with internal terminations, removing the requirement for an external junction box.

#### Application

The Smart Position Indicator is designed for use in chemical and petro-chemical industries, airports, public facilities, power plants and fire water supply.

#### Features

- Manual duty
- ISO5210 F10 output
- Aluminium housings
- Stainless Steel fasteners
- Protected shafts
- Adjustable open/shut plates & contacts
- Maintenance free
- Switches & terminals housed inside a protective enclosure
- Switches used:  
Bartec 07-1501-6520-63  
Pepperl+Fuchs NCB2-V3-N0  
Crouzet 831391 CBB.5.A  
Omron D3V-161-1A5 (or equivalent)

#### Options

- Mount to existing F10 input flange (stem acceptance Ø20 x 60 mm)
- Direct mount to rising stem valve (max stem acceptance Ø20 x 100 mm stroke including thrust taking)
- Pin / key handwheel

#### Environmental Specification

- IP67 minimum sealed unit

#### Certification

##### • **Hazardous Area:**

On versions fitted with flameproof micro-switches:

Ex II 2GD

Ex e d IIC T4 Gb / Ex h IIC T4 Gb

/ Ex tb IIIC T135°C Db IP67

T ambient = -25°C to +65°C

(1.5 A version) or

-25°C to +40°C (5 A version)

On versions fitted with intrinsically safe proximity sensors:

Ex II 2G

Ex ib IIC T4 Gb / Ex h IIC T4 Gb

T ambient = -25°C to +100°C

##### • **Non Hazardous Area:**

Watertight & Dust-tight,

BS EN 60529 IP67

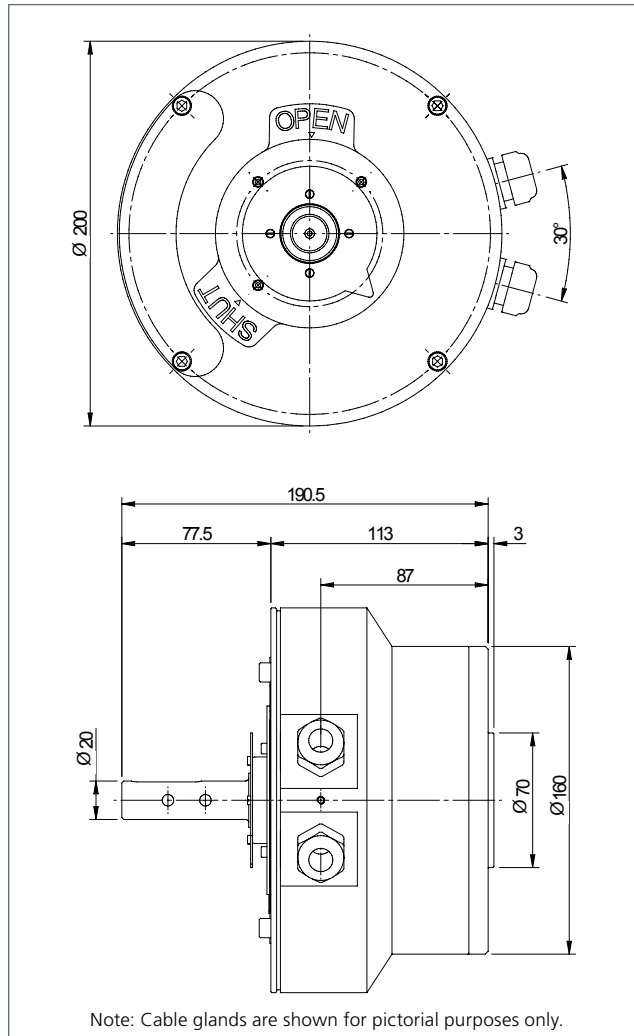
T ambient = -25°C to +100°C

## Technical specification

Size	Ratio : 1	Gearbox Number of Turns		Weight (kg)
		Min	Max	
SPI 1	34.8	4	26	6.4
SPI 2	113.3	13	87	6.4
SPI 3	368	42	284	6.6
SPI 4	1196	137	923	6.7

## Material specification

Description	Material
Fasteners	Stainless Steel A4
Position Indicator	Stainless Steel 303
Sealing	NBR
Housing	Aluminium
Gearing	Carbon Steel C45
End Plates	Aluminium



**Rotork Gears UK**  
9 Brown Lane West  
Holbeck  
Leeds  
West Yorkshire LS12 6BH  
England

tel +44 (0)113 2567922  
email sales@rotorkgears.com

**Rotork Gears BV**  
Nijverheidstraat 25  
7581 PV Losser  
P.O. Box 98  
7580 AB Losser  
The Netherlands

tel +31 (0)53-5388677  
fax +31 (0)53-5383939  
email info@rotorkgears.nl

**Rotork Gears Americas**  
1811 Brittmoore  
Houston  
Texas 77043  
USA

tel +1 713 983 7381  
fax +1 713 856 8022  
email gears@rotorkgears.com

**Rotork Gears Shanghai**  
No. 260 Lian Cao Road  
Xin Mei Urban Industrial Park  
Min Hang District  
Shang Hai 201108  
China

tel +86-21-33236200  
fax +86-21-64348388  
email info@rotorkgears.com.cn

**Rotork Gears S.R.L.**  
Viale Europa 17  
20090 Cusago (MI)  
Italy

tel +39 0290 16711  
fax +39 0290 390368  
email rgsl.sales@rotork.com

**Rotork Gears India**  
165/166, Bommasandra,  
Jigani Link Road,  
Kiadb Industrial Area,  
Anekal Thaluk, Jigani Hobli,  
Bangalore 562106

tel +91 80 3098 1600  
fax +91 80 3098 1610  
email sales@rotork.co.in

**Rotork Valvekits**  
Brookside Way  
Nunn Park  
Huthwaite  
Nottinghamshire NG17 2NL  
England

tel +44 (0)1623 440211  
fax +44 (0)1623 440214  
email sales@rotorkvalvekits.com

**Rotork Valvekits Americas**  
Rotork Tulsa, Inc.  
4433 West 49th Street, Suite D  
Tulsa, OK 74107  
USA

tel +1 (918) 259-8100  
fax +1 (918) 259-9167  
email usasales@rotorkvalvekits.com

**Roto Hammer Industries**  
Rotork Tulsa, Inc  
4433 West 49th Street, Suite D  
Tulsa, OK 74107  
USA

tel +1 918 446 3500  
fax +1 918 446 6218  
email sales@rotohammer.com



A full listing of our worldwide sales and service network is available on our website at

[www.rotork.com](http://www.rotork.com)