



Sample Gas Filter AGF-PV-30

Even if the particular contaminant has already been removed at the extraction point through effective particle filtration inside the gas sampling probe, in long or branched sample gas line there is a risk of secondary contamination. Additional filters are therefore often installed at the point where the sample gas enters the analysis system and also before delicate system components. The filter housings must be made of corrosion-resistant, non-absorbent materials, easy to install and easy to maintain. They should further be compatible with various filter elements.

The AGF-PV-30 series features a PVDF and glass housing and is equipped with the Bühler Unique quick-release fastener. The filter head has an additional connection for installing a moisture detector. A variety of materials is available based on the application.

Bühler Unique quick-release fastener

Filter housing material: PVDF, glass

Various filter elements

Low dead volumes

Bypass connection for moisture detector

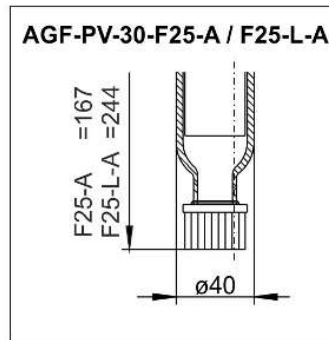
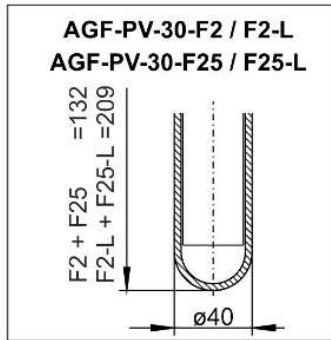
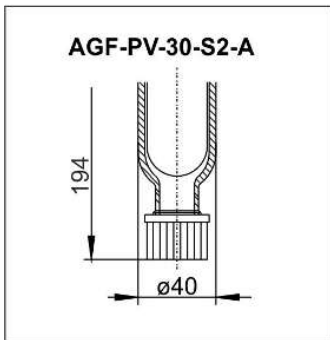
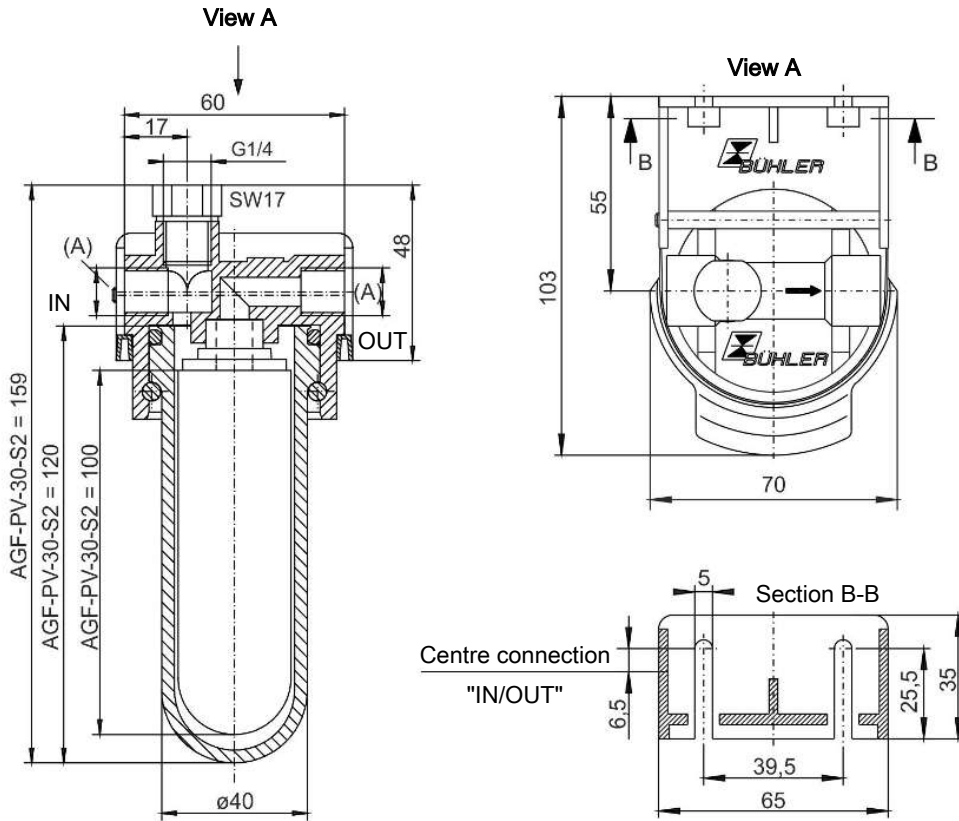
Used in **DNV-GL and LR type-tested** conditioning unit

Compliance with requirements under **IMO MARPOL MEPC.259(68)** demonstrated

Special design for use in high vibration environments



Dimensions



Use in explosive areas (additional notices):

The filter meets the fundamental safety requirements of Directive 2014/34/EU and is suitable for use in Category 2G, Explosion class IIB areas. The filter is not marked, as it does not have an innate ignition source and Directive 2014/34/EU therefore does not apply.

Flammable gases, explosion class IIB or IIC, which could occasionally be explosive during normal operation may be conveyed through the filter.

Be sure to observe the instructions in the respective operating instructions!

Ambient temperature range for Ex area applications: $-5\text{ °C} \leq T_{\text{amb}} \leq 60\text{ °C}$.

Technical Data
Fine mesh filter AGF-PV-30

Material – Filter head	PVDF
Material – Filter cover	Glass
Material – Gasket	Viton
Thread (A)	G1/4 or NPT 1/4" (see ordering information)
Max. operating pressure	4 bar
Max. operating temperature	100 °C
Mechanical load	Tested based on DNV-GL CG0339 vibration class A (0.7g) 2 Hz-13.2 Hz Amplitude ± 1.0 mm 13.2 Hz -100 Hz 0.7g acceleration

Ordering instructions
Filter*

AGF-PV- AGF-PV-I	30-S2 30-S2-I	30-S2-A 30-S2-A-I	30-F2 30-F2-I	30-F2-A 30-F2-A-I	30-F2-L 30-F2-L-I	30-F25 30-F25-I	30-F25-A 30-F25-A-I	30-F25-L 30-F25-L-I	30-F25-L-A 30-F25-L-A-I	30-AKF 30-AKF-I
Filter fineness	2 µm	2 µm	2 µm	2 µm	2 µm	25 µm	25 µm	25 µm	25 µm	1 µm
Item no. (G1/4)	4150099	4150199	41502999	4151999	4150799	4150299	4150399	4150499	4150599	4153099
Item no. (NPT 1/4")	4150099I	4150199I	41502999I	4151999I	4150799I	4150299I	4150399I	4150499I	4150599I	4153099I
Element	S2	S2	F2	F2	F2-L	F25	F25	F25-L	F25-L	AKF
Dead volume	57 ml	69 ml	57 ml	57 ml	108 ml	57 ml	63 ml	108 ml	117 ml	45 ml
Weight approx.	0.28 kg	0.29 kg	0.24 kg	0.29 kg	0.29 kg	0.23 kg	0.24 kg	0.29 kg	0.30 kg	0.23 kg

* one filter element is included with delivery.

Filter elements

Item no.	Model	Material	Filter fineness	Filter surface	Packing unit	Ex application
41 01 00 10	S2	Fibreglass	2 µm	80 cm ²	5 pieces	IIC
41 01 00 2	S2	Fibreglass	2 µm	80 cm ²	25 pieces	IIC
41 03 00 50	F2	PTFE	2 µm	60 cm ²	5 pieces	IIB
41 02 00 50	F2-L	PTFE	2 µm	125 cm ²	2 pieces	IIB
41 02 01 30	F25	PTFE	25 µm	60 cm ²	5 pieces	IIB
41 01 01 20	F25-L	PTFE	25 µm	125 cm ²	2 pieces	IIB
41 010 130	AKF	Active carbon	1 µm	45 cm ²	1 pieces	not suitable for use in Ex areas