

Technische Dokumentation Technical Documentation

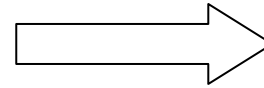
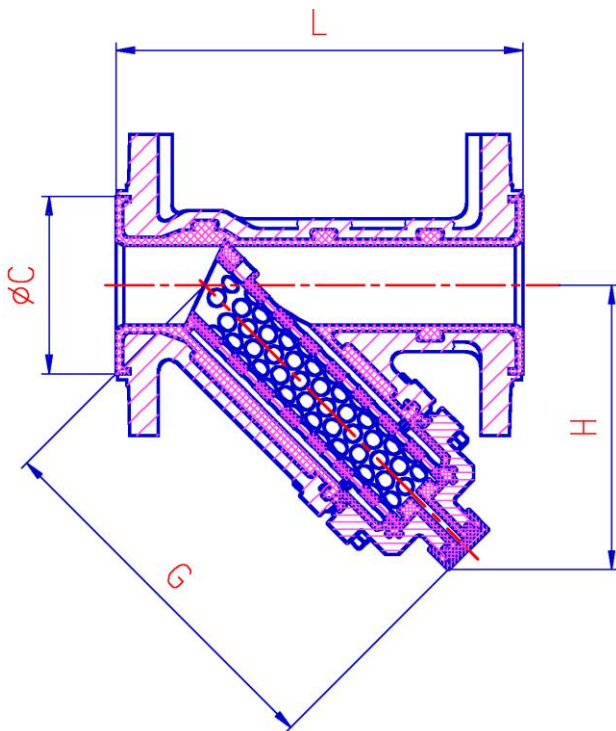


Fully Lined Flanged Filters & Strainers (DIN Version), Type Y101, PN 16



Design Features & Benefits

- Fully lined with high-quality fluorocarbon resins (PFA)
Lining thickness: 3mm
- Ideal for highly corrosive and aggressive flow media
- High filtering result at minimal pressure drop
Filtering surface: 1,5 up to 1,7 of pipe diameter (meets all requirements of the chemical industry)
- Maximal flow, minimal flow resistance
- Perfect vacuum resistance by locked-in lining
- High-quality Teflon® filter insert with perforated Teflon®-foil
- Maintenance- and service-friendly design
Simple and secure filter cleaning or exchange (directly in the piping system)
- Different mesh sizes of screen allow the multifunctional filter use depending on various dirt levels
- Drainage connection optional available
- Epoxy coating as standard



Flow direction

Installation and operating direction is marked on the valve body by an arrow.

Materials

Body:	EN-JS1049 (0.7043, GGG 40.3)
Body Lining:	PFA
Screen support:	Teflon®
Screen:	Teflon® foil (20 holes with 1,2 mm diameter per 1 cm ²) Standard mesh size: 300µm; other mesh sizes on request
Flange cover:	1.0038 / 1.0161
Drain plug:	1.4408 with Teflon® sealing; cap can't get in contact with process medium.

Technical Data						Dimensions			
DN / NPS	A1 (cm ² *)	A2 (cm ² **)	A2/A1	K _{vs} (m ³ /h)	Weight (kg)	L (mm)	ØC (mm)	H (mm)	G (mm)
15 / ½				0.2	3.7	150	40	100	126
20 / ¾				0.22	3.7	150	57	100	126
25 / 1	4.9	8.575	1.75	5.3	4.3	160	66	104	131
32 1 ¼	12.56	20.35	1.62	12.0	7.9	200	87	143	186
40 / 1 ½	12.56	20.35	1.62	12.0	7.9	200	87	143	186
50 / 2	19.63	33.17	1.69	20.6	10.0	230	100	161	211
80 / 3	50.26	74.89	1.49	42.8	19.8	310	136	256	327
100 / 4	78.54	119.40	1.52	80.6	26.5	350	157	284	363

*) A1: Free piping diameter (theoretical value)

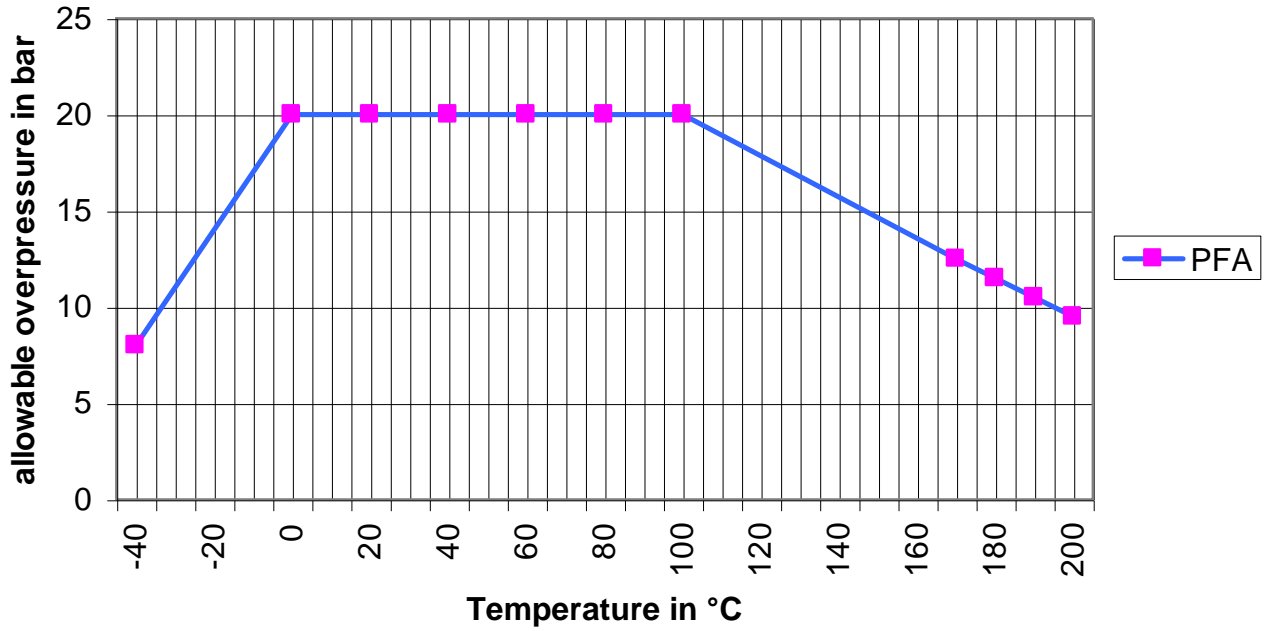
**) A2: Free filter surface at mesh size 300 micron

***) Three-piece design steel / Teflon® on request

Other materials and sizes on request.

Suitable for vacuum service: 1.33 mbar

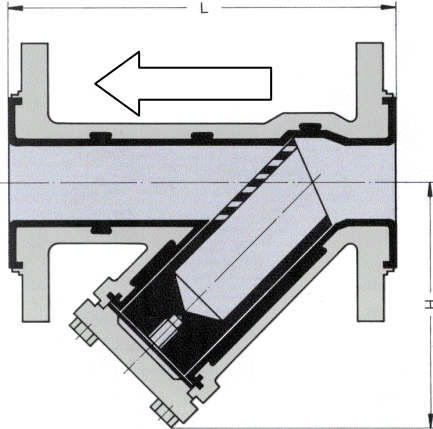
Pressure-Temperature Range



Fully Lined Flanged Filter & Strainer (ASME & JIS Version) Type 0191 / 8191

Type 0191 Flanges as per ASME Class 150
Type 8191 Flanges as per JIS 10 K

Other pressure classes on request.



Flow direction

Installation and operating direction is marked on the valve body by an arrow.

Dimensions in mm

NPS 0191*	DN 8191*	L		H		Approx. Weight in kg
		0191	8191	0191	8191	
*** ½	15	150	150	85	85	3.2
¾	20	150	150	85	85	3.2
1	25	160	160	93	93	4.0
** 1 ¼	32	On request				
1½	40	200	200	120	120	6.8
2	50	230	230	162	162	9.2
3	80	310	310	185	185	19.0
4	100	350	350	220	220	23.6

* DIN flanges drilled to ASME Class 150 resp. JIS 10 K

** Only on request

*** Flange holes threaded.

Materials

Body: EN-JS1049 (0.7043, GGG 40.3)
Body lining: PFA
Screen support: Teflon®
Screen: Teflon®, 20 holes per cm² (diameter 1.2 mm each)
Other materials and sizes on request.

Pressure-Temperature-Rating

Temperature in °C	- 40	- 20	0	20	40	60	80	100	120	140	150	160	170	180
Oper. Pressure (bar) PFA	0	5	10	10	10	10	10	10	10	10	10	9	8	5

Maximal operating pressure: 10 bar Subject to technical modifications.

Crane Co., and its subsidiaries cannot accept responsibility for possible errors in catalogues, brochures, other printed materials, and website information. Crane Co. reserves the right to alter its products without notice, including products already on order provided that such alteration can be made without changes being necessary in specifications already agreed. All their trademarks in this material are property of the Crane Co. or its subsidiaries. The Crane and Crane brands logotype are registered trademarks of Crane Co. All rights reserved.