

XOMOX[®]

NEW
& IMPROVED!



Xomox[®] Fully Lined Ball Check Valve

CRANE[®]

www.cranecpe.com

Features and Benefits

The NEW Xomox[®] Fully Lined Ball Check Valve Offers:

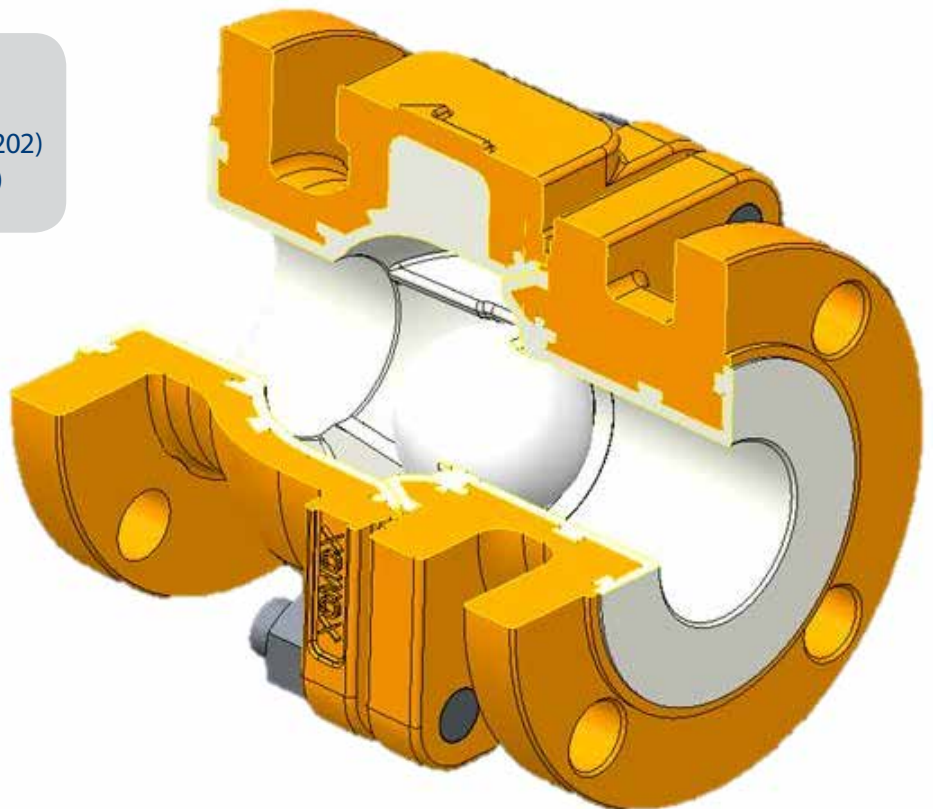
- 1 Equipment and Process Protection:** Improve protection of your critical equipment and avoid process cross contamination by reducing backflow through the lined ball check valve. The XLC's unique flexible seat enables Class A and API-598 sealing, a first for lined ball check valves.

* Standard for test procedure: Shell test acc. to EN-12266-1,
Seat leakage test acc. to EN-12266-1, and Functional test acc. to EN-12266-2

- 2 Low Cost Option for Horizontal Mounting:** While most horizontal mounted applications require a more expensive check valve, you can reduce both capital costs and inventory variation by standardizing a single ball check valve for both vertical or horizontal positions. Even in the horizontal position, the XLC's angled ribs guide the ball tightly into the seat, resulting in an excellent seal at pressures greater than 3 bar (>45 psi).

- 3 Safety from External Leaks and Corrosion:** Avoid high maintenance and replacement costs that result from body joint leaks during extreme thermal cycling. The XLC's metal-to-metal contact at the joint seal and wide conical plastic connection dramatically reduce the risk of dangerous external leaks.

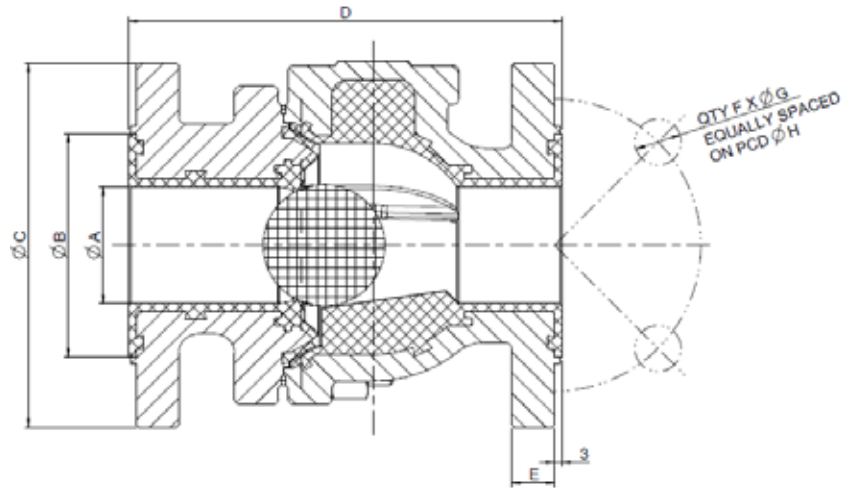
Now Available!
 XLC 12B Short Pattern ANSI
 XLC 13B Long Pattern ANSI (formerly B202)
 XLC 24B DIN Pattern (formerly B201)



XLC Lined Ball Check Valve ASME Dimensions

Xomox XLC 12B-Short Pattern

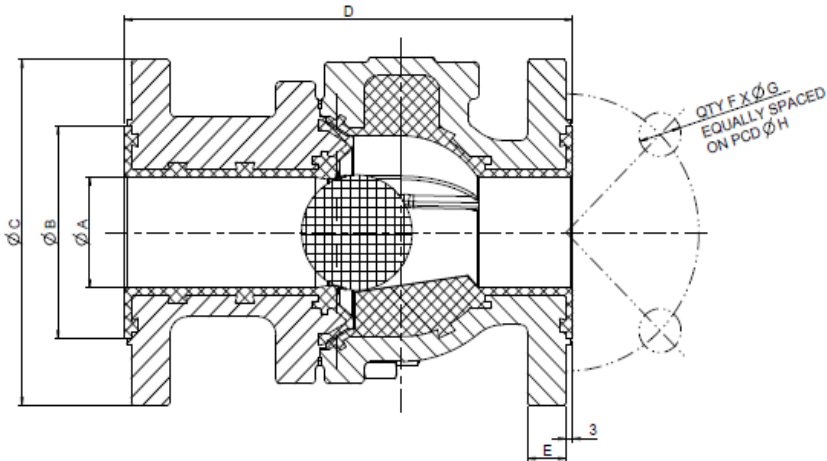
Fully Lined
 Flange Connections ASME B16.5-Class 150
 Face-to-face Dimensions Short Pattern (B16.10)



SIZE	A		B		C		D		E		F	G		H		Weight	
	in	mm	in	mm	in	mm	in	mm	in	mm		in	mm	in	mm	lb	kg
1"	0.91	23	2.00	51	4.25	108	5.00	127	0.50	12.7	4	0.63	16	3.12	79.4	8.7	3.9
1 ½"	1.46	37	2.88	73	5.00	127	6.50	165	0.63	15.9	4	0.63	16	3.88	98.4	17.3	7.8
2"	1.85	47	3.62	92	6.00	152	7.00	178	0.69	17.5	4	0.75	19	4.75	121	22.7	10.3
3"	2.95	75	5.00	127	7.50	191	8.00	203	0.88	22.3	4	0.75	19	6.00	152	45.8	20.8
4"	3.82	97	6.19	157	9.00	229	9.00	229	0.88	22.3	8	0.75	19	7.50	191	71.5	32.5
6"	5.71	145	8.50	216	11.0	279	10.5	267	0.88	22.3	8	0.91	23	9.50	241	111	50.6

Flow Coefficient						
Size	1"	1 ½"	2"	3"	4"	6"
Cv	20	67	73	163	251	464
Kv [m3/h]	17	58	64	140	216	400

XLC Lined Ball Check Valve ASME Dimensions



Xomox XLC 13B-Long Pattern

Fully Lined
 Flange Connections ASME B16.5-Class 150
 Face-to-face Dimensions Long Pattern
Formerly B202

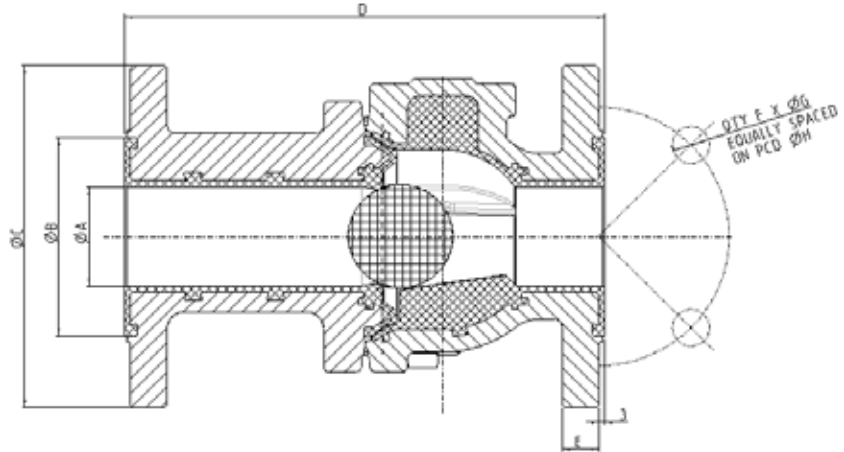
SIZE	A		B		C		D		E		F	G		H		Weight	
	in	mm	in	mm	in	mm	in	mm	in	mm		in	mm	in	mm	lb	kg
½"	0.59	15	1.38	35	3.50	89	5.12	130	0.38	9.6	4	½ -13 UNC-2B		2.38	60.3	7.6	3.4
¾"	0.79	20	1.69	43	3.88	98	5.91	150	0.44	11.2	4	½ -13 UNC-2B		2.75	69.9	8.7	3.9
1"	0.91	23	2.00	51	4.25	108	6.00	152.3	0.50	12.7	4	0.63	16	3.12	79.4	9.2	4.2
1 ½"	1.46	37	2.88	73	5.00	127	7.01	178	0.63	15.9	4	0.63	16	3.88	98.4	17.7	8.0
2"	1.85	47	3.62	92	6.00	152	7.99	203	0.69	17.5	4	0.75	19	4.75	121	23.6	10.7
3"	2.95	75	5.00	127	7.50	191	9.49	241	0.88	22.3	4	0.75	19	6.00	152	48.4	22.0
4"	3.82	97	6.19	157	9.00	229	11.50	292	0.88	22.3	8	0.75	19	7.50	191	76.2	34.6
6"	5.71	145	8.50	216	11.0	279	14.02	356	0.88	22.3	8	0.91	23	9.50	241	127	57.6

Flow Coefficient						
Size	1"	1 ½"	2"	3"	4"	6"
Cv	20	67	73	163	251	464
Kv [m3/h]	17	58	64	140	216	400

XLC Lined Ball Check Valve EN Dimensions

Xomox XLC 24B-DIN Pattern

Fully Lined
 Flange Connections EN 1092-2 PN16
 Face-to-face Dimensions acc. to EN 558
 Table 2, Row 1
Formally B201



SIZE	A	B	C	D	E	F	G	H	Weight
	mm	mm	mm	mm	mm		mm	mm	kg
15	15	40	95	130	13	4	14	65	3.5
20	20	52	105	150	15	4	14	75	4.1
25	23	62	115	160	15	4	14	85	4.8
40	37	82	150	200	15	4	18	110	9.5
50	47	96	165	230	15	4	18	125	12.2
80	75	132	200	310	17	8	18	160	25.2
100	97	152	220	350	17	8	18	180	36.6
150	145	206	285	480	18.5	8	23	241	57.6

Flow Coefficient						
Size	1"	1 ½"	2"	3"	4"	6"
C _v	20	67	73	163	251	464
K _v [m ³ /h]	17	58	64	140	216	400

Application

Xomox[®] XLC valves offer economical solutions for the vast majority of chemical applications while maintaining the highest possible degree of performance in terms of in-line leakage.

XLC valves are commonly used within the following industries:

- Chlor-Alkali
- Industrial Inorganic Chemicals
- Metal and Mining
- Nitrogen and Phosphatic Fertilizers
- Petroleum Refining
- Pharmaceutical

Within these industries, XLC valves have superior performance in the following applications:

- Chlorine
- Benzene
- Bromine
- Sulfuric Acid
- Nitric Acid
- Hydrochloric Acid
- Phosphoric Acid
- Sea Water

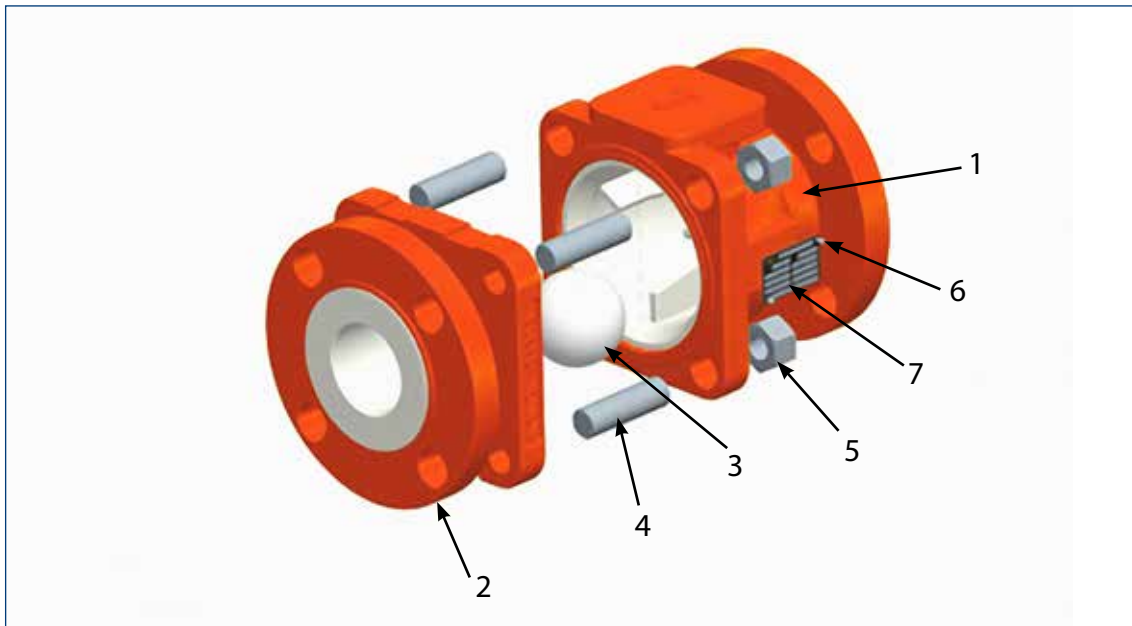
Xomox[®] XLC Lined Ball Check Valve - Performance Chart

MEDIA TYPES								APPLICATION REQUIREMENTS												
Clean Liquids & Gases	Dirty Liquids & Gases	Corrosive Liquids & Gases	Hazardous Liquids & Gases	Viscous Liquids	Scaling Liquids & Slurries	Abrasive Slurries	Fibrous Slurries	Dry Materials	Vacuum Service	Horizontal Mounting	Vertical Mounting	Tight In-line Seal	Reduced Maintenance	Extended Service Life	Sizes	Pressure Ratings	High Temperature (ASME/EN)	Low Temperature (EN)	Low Temperature (ASME)	Key Benefit
●	●	●	●	●	●	●	●	●	●	●	●	●	●	●	●	●	●	●	●	●

Source: Crane Engineering

- Superior Performance
- Limited Application (Consult Factory)

Materials of Construction



Item	Quantity	Part	Material
1	1	Body	Ductile Iron EN-JS 1049/60-40-18, ASTM A395, PFA Teflon® Lined
2	1	Flange	Ductile Iron EN-JS 1049/60-40-18 ASTM A395, PFA Teflon® Lined
3	1	Ball	Teflon® PTFE solid ball
4	4/6/8	Stud	EN and JIS Valves: A4-70, ASME Valves: A193 Grade B7
5	4/6/8	Nut	EN and JIS Valves:A4-70, ASME Valves:A194 Grade 2H
6	1	Tag	Stainless Steel
7	2	Tag Pin	Stainless Steel



Crane ChemPharma & Energy
 4444 Cooper Road
 Cincinnati, OH 45242 USA
 Tel: +001 513 745 6000
 Fax: +001 513 745 6086

Xomox International GmbH & Co. OHG
 Von-Behring-Straße 15,
 D-88131 Lindau/Bodensee
 Tel: (49) 8382-702-0
 Fax: (49) 8382-702-114

www.cranecpe.com



brands you trust.



CPE-XOMOX-XLCTD-EN-L12-4-2014-16

Crane Co., and its subsidiaries cannot accept responsibility for possible errors in catalogues, brochures, other printed materials, and website information. Crane Co. reserves the right to alter its products without notice, including products already on order provided that such alteration can be made without changes being necessary in specifications already agreed. All trademarks in this material are property of the Crane Co. or its subsidiaries. The Crane and Crane brands logotype, in alphabetical order, (ALOYCO®, CENTER LINE®, COMPAC-NOZ®, CRANE®, DEPA® & ELRO®, DUO-CHEK®, FLOWSEAL®, JENKINS®, KROMBACH®, NOZ-CHEK®, PACIFIC®, RESISTOFLEX®, REVO®, SAUNDERS®, STOCKHAM®, TRIANGLE®, UNI-CHEK®, WTA®, and XOMOX®) are registered trademarks of Crane Co. All rights reserved.