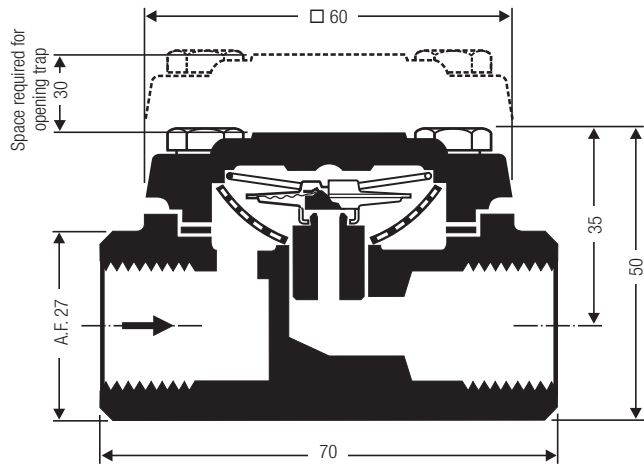
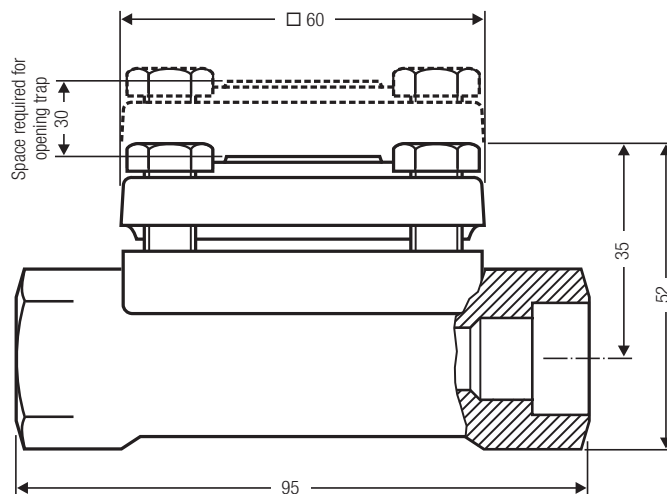


MK 35/31 with screwed sockets



MK 35/32 with screwed sockets



MK 35/31, MK 35/32 with socket-weld ends

## Thermostatic Steam Traps

### MK 35/31 and MK 35/32

#### PN 25, DN 3/8", 1/2"

#### Description

Thermostatic steam trap with membrane regulator. Corrosion-resistant thermostatic capsule unaffected by waterhammer. Integral strainer. Asbestos-free cover gasket (graphite/CrNi). Installation in any position.

The traps with standard capsule "N" discharge the condensate with virtually no banking-up, the traps with special capsule "U" with an undercooling of approx. 30 K (degC).

#### MK 35/31 with tandem seat

In particular for low condensate flowrates. Optionally either with standard capsule "5 N 1" or undercooling capsule "5 U 1".

#### MK 35/32 with single seat

For larger condensate flowrates. Optionally either with standard capsule "5 N 2" or undercooling capsule "5 U 2".

| Pressure/Temperature Rating*)   |   | EN 1092-1, 3E0 |      |      |      |      |
|---|---|----------------|------|------|------|------|
| <b>Body material</b>  | <b>1.0460 (C 22.8) / ASTM A 105</b>                     |                |      |      |      |      |
| <b>Nominal size</b>   | <b>3/8", 1/2"</b>                                       |                |      |      |      |      |
| <b>End connections</b>  | <b>Screwed sockets: BSP or NPT<br/>Socket-weld ends</b> |                |      |      |      |      |
| Max. service pressure   | PMA [bar]   | 23.3           | 19.4 | 18.6 | 16.1 | 14.4 |
| Related temperature   | TMA [°C]  | 100            | 200  | 225  | 300  | 400  |
| Max. differential pressure<br>(inlet pressure minus<br>outlet pressure) | ΔPMX [bar]  | 21             |      |      |      |      |

\*) for the intended purpose of the equipment

| Materials       | EN               | ASTM   |
|-----------------|------------------|--------|
| Body            | P250GH (1.0460)  | A105   |
| Cover           | P250GH (1.0460)  | A105   |
| Cover screws    | 42CrMo4 (1.7225) | A193B7 |
| Membrane        | Hastelloy        |        |
| Other internals | Stainless steel  |        |
| Cover gasket    | Graphite / CrNi  |        |

| Weights          | End connections | End connections |     |             |     |
|------------------|-----------------|-----------------|-----|-------------|-----|
|                  |                 | Screwed         |     | Socket-weld |     |
| Nominal sizes DN | [mm]            | 10              | 15  | 10          | 15  |
|                  | [inch]          | 3/8             | 1/2 | 3/8         | 1/2 |
| Approx. weight   | [kg]            | 0.7             |     | 0.8         |     |

#### Connections

Screwed sockets: BSP or NPT (API).

Socket-weld ends.

Trap ends have gasket surface for use when required.

Thermostatic Steam Traps  
**MK 35/31 and MK 35/32**  
**PN 25, DN 3/8", 1/2"**

**Capacity Charts**

The charts show the maximum capacities for hot and cold condensate.

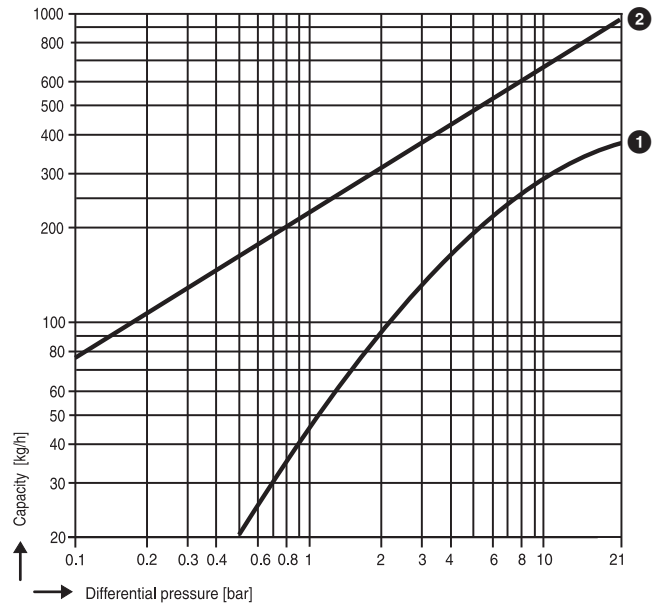
**Curve 1**

Curve 1 indicates the max. capacity of hot condensate that the traps with "N" capsule can discharge at a condensate temperature of approx. 10 K (degC) below saturation temperature (virtually no banking-up), and the traps with "U" (undercooling) capsule when the condensate is approx. 30 K (degC) below the saturated steam temperature.

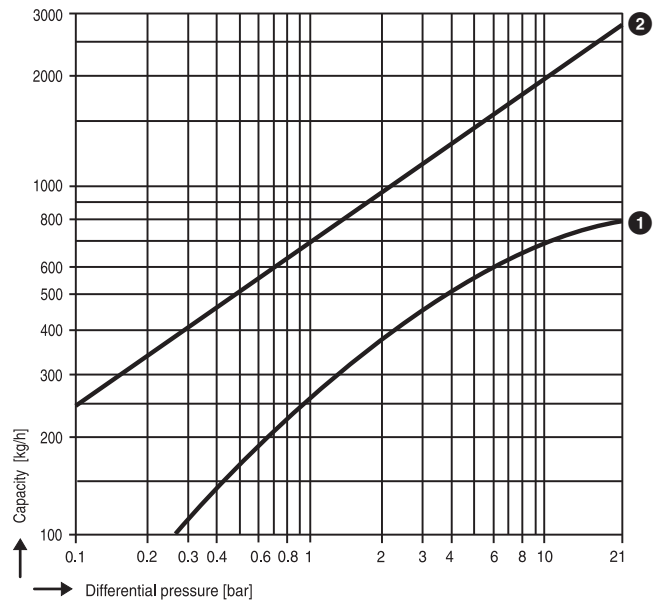
**Curve 2**

Curve 2 shows the max. capacity of cold condensate that the traps can discharge (condensate temperature 20 °C).

**Capacity Chart for MK 35/31**



**Capacity Chart for MK 35/32**



**When ordering please state:**

Steam pressure, back pressure, quantity of condensate to be discharged, type, size, connections, mounting position of the trap and details of application.

The following test certificates can be issued on request, at extra cost:

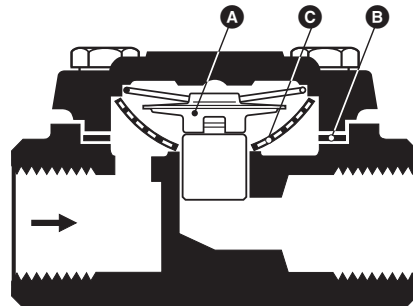
In accordance with EN 10204/2.2, and 3.1B.

All inspection requirements have to be stated with the order. After supply of the equipment certification cannot be established. For tests and inspection charges please consult us.



These products comply with the requirements of the Pressure Equipment Directive (PED) 97/23/EC.

DN 3/8" and DN 1/2" are excluded from the scope of this Directive (Article 3.3) and must not bear the CE marking.



| Item no. | Designation  | Stock code |
|----------|--|------------|
| A B C    | Thermostatic capsule 5N1, cover gasket, spring, strainer | 376837     |
|          | Thermostatic capsule 5N2, cover gasket, spring, strainer | 376836     |
|          | Thermostatic capsule 5U1, cover gasket, spring, strainer | 377259     |
|          | Thermostatic capsule 5U2, cover gasket, spring, strainer | 377260     |
|          | Thermostatic capsule 5H1, cover gasket, spring, strainer | 377261     |
|          | Thermostatic capsule 5H2, cover gasket, spring, strainer | 377262     |
| B        | Cover gasket (20 pcs) <sup>1)</sup>                      | 377258     |

<sup>1)</sup> For smaller quantities please contact your local dealer.

Supply in accordance with our general terms of business.

**GESTRA AG**

Münchener Straße 77, 28215 Bremen, Germany  
 Telefon +49 421 3503-0, Telefax +49 421 3503-393  
 E-mail info@de.gestra.com, Web www.gestra.de

