

Example: QuickCC 1000-2-CR3-10 and pump control box for wall mounting

Discharge capacity	Delivery head	Double pump unit		Single pump unit	
		QuickCC Type	Weight	QuickCC Type	Weight
m ³ /h	mWs		kg		kg
1	28	340-2-CR1-5	230	340-1-CR1-5	200
1	57	340-2-CR1-10	240	340-1-CR1-10	205
2	20	550-2-CR1-5	275	550-1-CR1-5	245
2	42	550-2-CR1-10	285	550-1-CR1-10	250
3	23	750-2-CR3-5	335	750-1-CR3-5	295
3	46	750-2-CR3-10	345	750-1-CR3-10	300
4	15	1000-2-CR3-5	390	1000-1-CR3-5	350
4	32	1000-2-CR3-10	400	1000-1-CR3-10	355
6	19	1500-2-CR5-4	485	1500-1-CR5-4	445
6	35	1500-2-CR5-7	495	1500-1-CR5-7	450
8	22	2000-2-CR10-3	610	2000-1-CR10-3	550
8	60	2000-2-CR10-7	645	2000-1-CR10-7	565

The pump control weighs 20 kg and is supplied but not fitted.

Example 1:	QuickCC type 1000-2-CR3-10 made from steel			
QuickCC type	Condensate collecting tank Volume [l]	Pump(s) [Qty.]	Pump Series	Runner [Qty.]
1000		2	CR3	10
Example 2:	QuickCC type 1000A-2-CRN3-10 made from stainless steel			
QuickCC type	Condensate collecting tank Volume [l]	Pump(s) [Qty.]	Pump Series	Runner [Qty.]
1000A		2	CRN3	10

Condensate Recovery and Return System

QuickCC

Description

Condensate flows either directly from the consumer or via the flash vessel into the condensate recovery and return system where a level-controlled pump delivers the condensate to the feedwater deaerator or feedwater tank. QuickCC is designed to handle flowrates up to 8 t/h. The size of the collecting tank depends on the condensate load.

The water level gauge gives a visual indication of the liquid level in the collecting tank.

A choice is available of single or double pumps with 100 % discharge capacity each. If one pump (duty pump) of the double pump unit fails the second pump (standby pump) is brought into operation and ensures uninterrupted condensate delivery.

The pump control NRSP-QuickCC including the motor switch and main switch are housed in a separate control box ready for wall mounting.

Function

Condensate with a max. temperature of 98 °C flows into the collecting tank.

When the condensate level reaches the upper switchpoint of the conductivity electrode, the duty pump is automatically started and will continue to run until the condensate level in the tank reaches the lower switchpoint.

Technical Data

Operating pressure

0.1 barg

Service temperature

98 °C

Capacity

1 t/h up to 8 t/h

Material

Condensate collecting tank and base made of steel grade S235JRG2 (RSt-37-2) or stainless steel 1.4571/1.4301

Connections on condensate recovery tank N1, N2:

Quick CC Steel

- Screwed sockets G: ISO 228-1
- Flanges EN 1092-1 B1 PN 16

Quick CC Stainless steel

- Flanges EN 1092-1 B1 PN 16

Scope of supply

Condensate collecting tank
 Level electrode
 Condensate pump(s)
 Isolating valves
 Non-return valve(s)
 Pressure gauge
 Water level gauge
 Thermometer
 Base
 Pump control

Condensate Recovery and
Return System
QuickCC

Application of European Directives

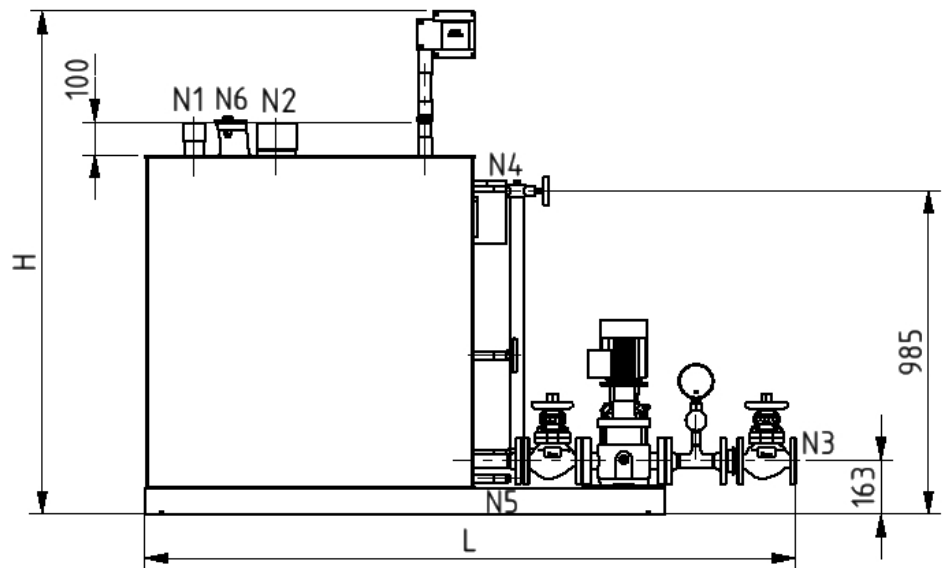
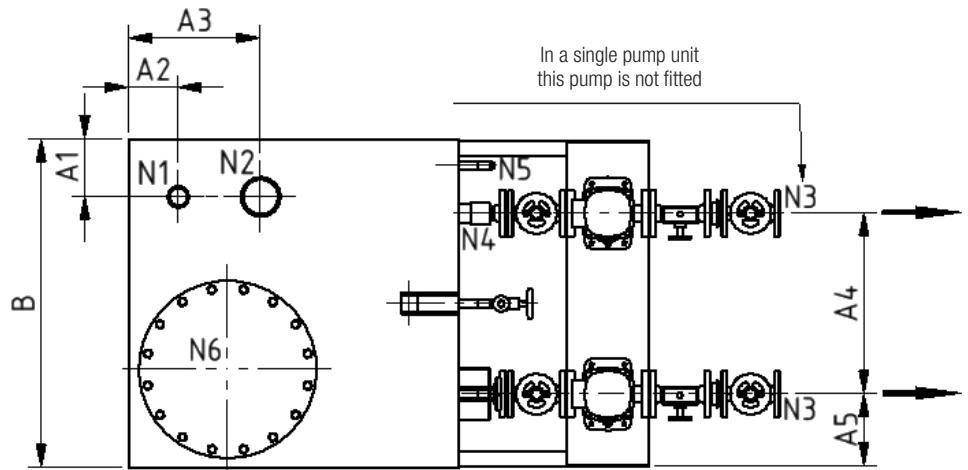
Pressure Equipment Directive (PED)

The system fulfils the requirements of the Pressure Equipment Directive PED 2014/68/EU. For use with fluids of group 2.

The system is excluded from the scope of the PED according to section 4.3 and must not bear a CE marking.

ATEX Directive

Do not use the system in explosion risk areas!



Type	QuickCC 340	QuickCC 550	QuickCC 750	QuickCC 1000	QuickCC 1500	QuickCC 2000
Volume [l]	340	550	750	1000	1500	2000
L [mm]	1507	1657	1827	1977	2650	3075
B [mm]	600	750	900	1000	1000	1000
H [mm]	1532	1532	1532	1532	1532	1532
A1 [mm]	80	100	175	175	175	175
A2 [mm]	80	100	100	150	200	200
A3 [mm]	300	350	350	400	500	500
A4 [mm]	370	380	530	550	550	550
A5 [mm]	110	180	180	220	220	220
N1	G 1	G 1 ¼	G 1 ½	G 2	G 3	G 3
N2	G 2	G 3	G 4	G 4	G 4	G 4
N3	DN 25, PN 16	DN 25, PN 16	DN 32, PN 16	DN 32, PN 16	DN 40, PN 16	DN 40, PN 16
N4	G 1	G 1 ¼	G 1 ½	G 2	G 3	G 3
N5	G ½	G ½	G ½	G ½	G ½	G ½
N6	DN 200, PN 6	DN 200, PN 6	DN 200, PN 6	DN 400, PN 6	DN 400, PN 6	DN 400, PN 6

Supply in accordance with our general terms of business.

Control box dimensions: W x H x D: 400 x 500 x 210 [mm]

GESTRA AG

Münchener Straße 77, 28215 Bremen, Germany
Telefon +49 421 3503-0, Telefax +49 421 3503-393
E-mail info@de.gestra.com, Web www.gestra.de

