



# Three Pieces Ball Valves IMF 1000 WOG

Size 1/4" – 4" (DN 10 -100) Stainless Steel



## **Fig. 140IMF FULL BORE**

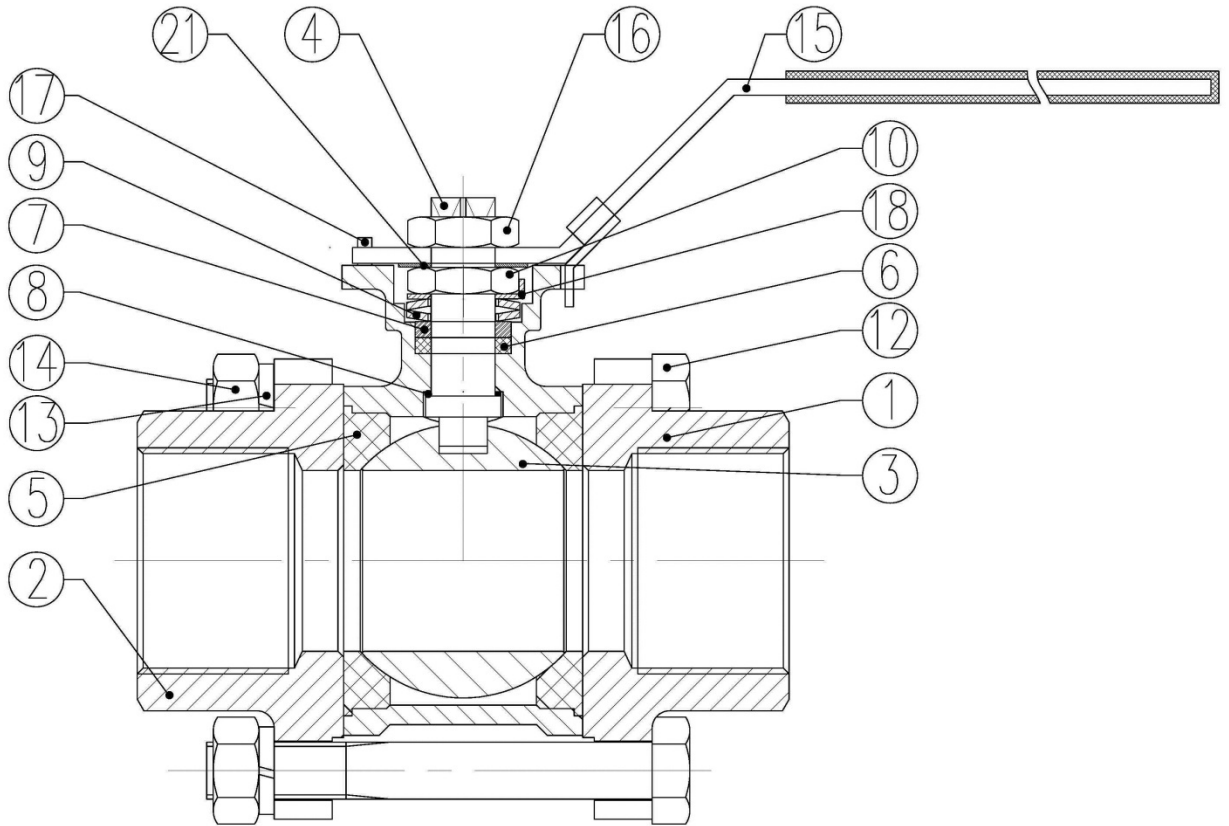
**Threaded according:  
DIN 259/2999 (GAS)**

CE

**alnab**

# Three Pieces Ball Valves IMF 1000 WOG

Parts and materials

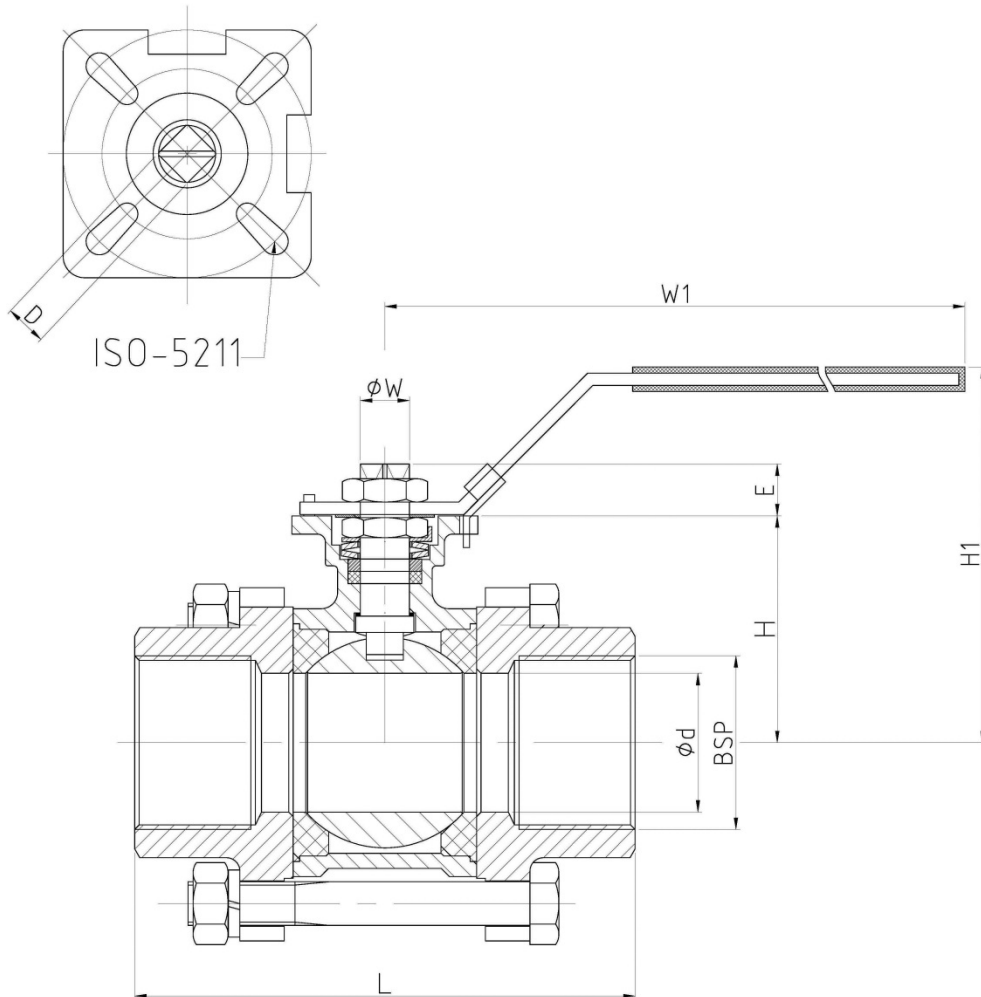


Item	Description	Material
1	Body	1.4408
2	Body connector	1.4408
3	Ball	1.4408
4	Stem	1.4401
5	Seat ring	PTFE
6	Stem packing	PTFE
7	Ring	AISI 304
8	Seat thrust seal	PTFE
9	Belleville washer	AISI 304
10	Gland Nut	AISI 304
12	Bolt	1.4301
13	Washer	AISI 304
14	Nut	1.4301
15	Handle	AISI 304+PVC
16	Handle nut	AISI 304
17	Stop pin	AISI 304
18	Locking washer	AISI 304
21	Washer	AISI 304

# Three Pieces Ball Valves IMF

## 1000 WOG

### Dimensions



### Dimensions

SIZE	N.P.S	Ød	L	W1	H	H1	E	D	ØW	ISO5211	WEIGHT
¼" (DN 8)	¼"	11,6	55	143	38,5	70	9	9	12	F04/03	0,58
⅜" (DN 10)	⅜"	12,5	60	143	38,5	70	9	9	12	F04/03	0,58
½" (DN 15)	½"	15	75	143	38,5	70	9	9	12	F04/03	0,57
¾" (DN 20)	¾"	20	80	143	47,5	79	9	9	12	F04/03	0,76
1" (DN 25)	1"	25	90	163	59	95	11	11	14	F05/04	1,03
1¼" (DN 32)	1¼"	32	110	163	63,5	100	11	11	14	F05/04	1,59
1½" (DN 40)	1½"	38	120	188	79	116	15	14	18	F07/05	2,3
2" (DN 50)	2"	50	140	188	86,5	124	15	14	18	F07/05	3,25
2½" (DN 65)	2½"	64	162	350	109,1	141	17	17	22	F10/07	6,9
3" (DN 80)	3"	76	184	350	117	149	17	17	22	F10/07	11
4" (DN 100)	4"	94	228	350	142	173	22	22	28	F12/10	19,2

(\*) Dimensions in mm and weight in kg.

#### Note:

Dimensions not subject to International Standards can vary in  $\pm 10\%$ . ICP reserves the right to change those dimensions without notice, due to they do not affect integrity and performance of the valves.

# Three Pieces Ball Valves IMF 1000 WOG

Torque, Kv, P&T Rating, Actreg Actuator

## Torque Values in Nm

VALVE SIZE	AT DIFFERENTIAL PRESSURE	
	63 bar	25 bar
1/4" (DN 8)	4,9	58,3
3/8" (DN 10)	4,9	86,8
1/2" (DN 15)	4,9	122,6
3/4" (DN 20)	6,5	
1" (DN 25)	13,7	
1 1/4" (DN 32)	21,6	
1 1/2" (DN 40)	29,5	
2" (DN 50)	47	

## Kv Values in m<sup>3</sup>/h

VALVE SIZE	Kv	VALVE SIZE	Kv
1/4" (DN 8)	6,6	1 1/2" (DN 40)	80,0
3/8" (DN 10)	6,6	2" (DN 50)	150,0
1/2" (DN 15)	11,2	2 1/2" (DN 65)	265,0
3/4" (DN 20)	21,0	3" (DN 80)	415,0
1" (DN 25)	34,0	4" (DN 100)	780,0
1 1/4" (DN 32)	57,0		

## Pressure-Temperature

P Bar

