



baelz 375-E42

DESCRIPTION

Rotary actuator
with load-dependent and travel-dependent limit switches.

TECHNICAL SPECIFICATIONS

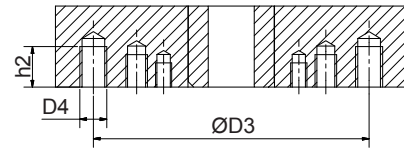
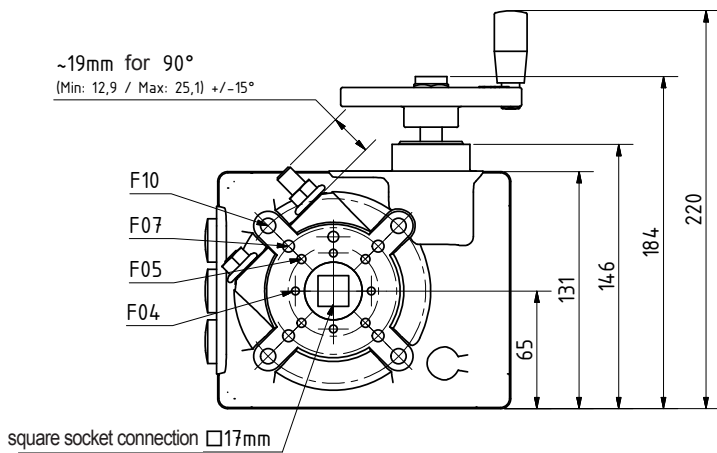
Actuator control:	3 point
Angle of rotation:	90°
Electrical connection:	3 x M20x1.5
Cover:	plastic, gray
Manual operation:	handwheel
Position indicator:	integrated in cover
Actuator:	Synchronous actuator
Mechanical connection:	according to ISO 5211 square socket connection <input type="checkbox"/> SW17 <input type="checkbox"/> SW14 including adaptor <input type="checkbox"/> SW17/ <input type="checkbox"/> SW14

Environmental parameters:
Temperature: -10 ... +50°C
Relative humidity: 0 ... 75%

Type baelz	Weight	Torque	Actuating speed	Power	Supply voltage	IP rating
	(kg)	(Nm)	(s/90°)	(VA)		
375-E42-150Nm-60s-230V	7.5	150	60	65	230 V, 50/60 Hz	IP65

* Actuators with supply voltage 115 V and 24 V available upon request

Options		
Option	Description	Remarks
2EZ	2 additional limit switches	
Fg5k	Potentiometer	5 kΩ
7020A-230V	Controller for electric actuator 230V 50 / 60Hz	0/2...10 V or 0/4...20 mA please specify when ordering default = 0...10 V incl. potentiometer 1 kΩ Output signal = input signal



	ØD3 (mm)	D4	h2 (mm)	Mmax (Nm)
F 04	42	M5	8	63
F 05	50	M6	9	125
F 07	70	M8	12	250
F 10	102	M10	15	500

