

GATE VALVE WITH RISING STEM TYPE ZO40

CHARACTERISTIC:

Diameter	-	50 -600 mm;
Pressure	-	40 bar;
Temperature	-	up to 530°C;
Medium	-	water, steam and other non-toxic, non-aggressive media

VERSIONS:

type / body material / drive type / others

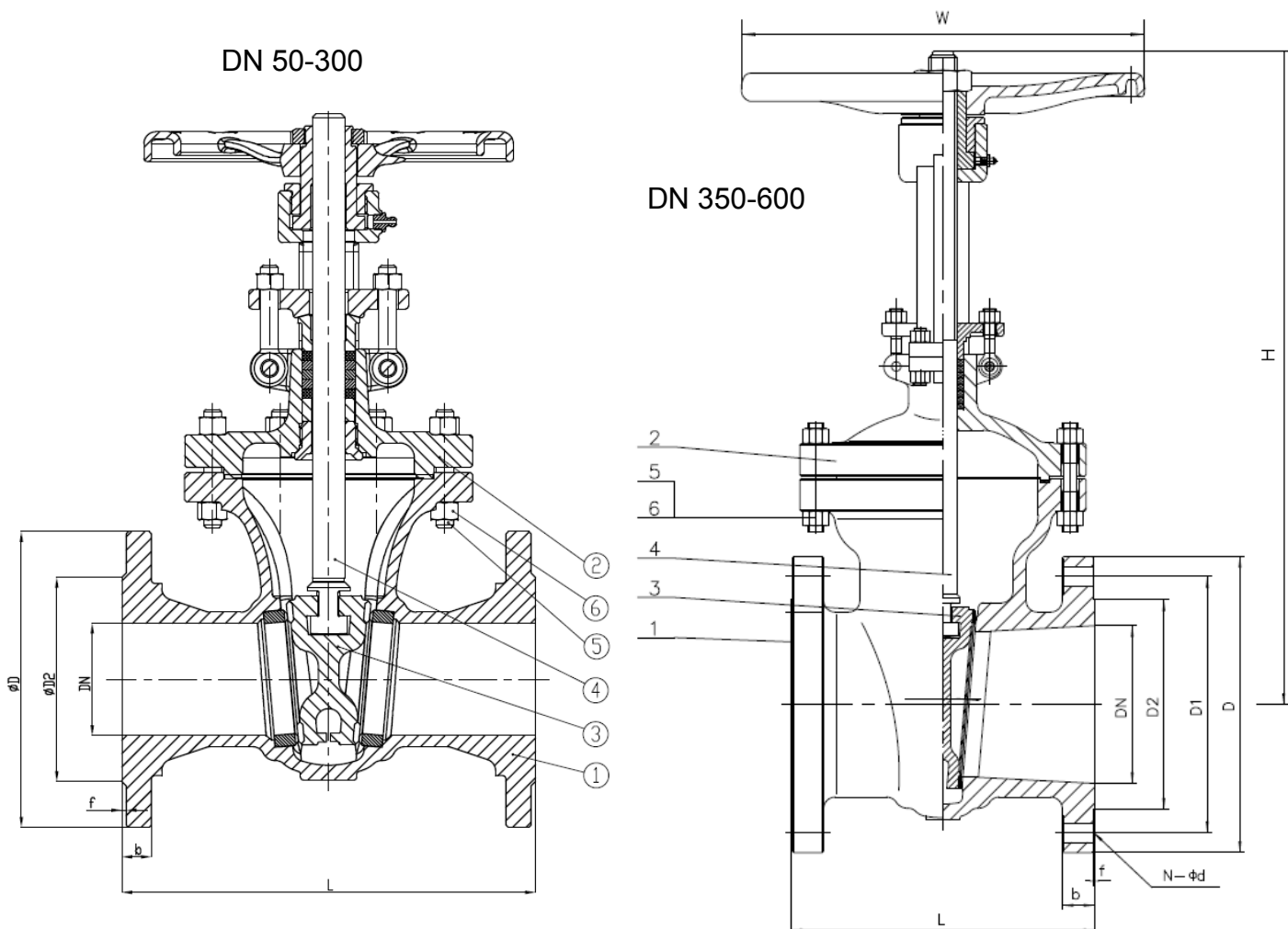
Example: ZO40 / --- / --- / ---

Example: ZO40 / A / NA / ---

Body material	Sign	Drive type	Sign	Other	Sign
1.0619	---	Hand wheel	---		
A217 WC6	A	Electric actuator	NA		
		Pneumatic actuator	NP		

APPLICATION:

Gate valve is designed to open and stop the flow. The gate valve can be mounted to a pipeline in any position. It should operate in a close or open position. The gate valve should not be used as a flow regulating device!



WK[®]

FABRYKA ARMATURY PRZEMYSŁOWEJ

„WAKMET” spółka jawna

Kaczmarek, Krzywdziński, Wachowski, Wilczyński

Bodzanów 75 48-340 GŁUCHOŁAZY 1

tel. +48(077) 439-40-20, fax +48(077) 439-18-72

e-mail: wakmet@wakmet.com.pl http:

HYPERLINK "mailto:wakmet@wakmet.com.pl" wakmet.com.p

MATERIALS:

Versions	Standard	A
Parts	T _{MAX} 450°C	T _{MAX} 530°C
Body + overaly	1.0619 + 13Cr	A217 WC6 + Stellite
Bonnet	1.0619	A217 WC6
Wedge + overaly	1.0619 + 13Cr	A217 WC6+ Stellite
Stem	A182 F6a	A182 F6a
Bonnet bolt	A193 B7	A193 B16
Bonnet nut	A194 2H	A194 4
Packing rings	Graphit	Graphit
Wheel	Steel	Steel

DIMENSIONS:

Flanged											
DN	H(open)	H(close)	ØD	ØD1	ØD2	N - Ød	L	b	f	W	Weight
50	385	320	165	125	102	4-Ø18	250	20	3	200	24
65	435	350	185	145	122	8-Ø18	290	22	3	250	36
80	475	380	200	160	138	8-Ø18	310	24	3	250	44
100	585	465	235	190	162	8-Ø22	350	24	3	300	64
125	680	540	270	220	188	8-Ø26	400	26	3	300	90
150	785	615	300	250	218	8-Ø26	450	28	3	350	130
200	975	750	375	320	285	12-Ø30	550	34	3	400	215
250	1195	915	450	385	345	12-Ø33	650	38	3	450	340
300	1385	1060	515	450	410	16-Ø33	750	42	4	500	495
350	1500	1130	580	510	465	16-Ø36	850	46	4	650	620
400	1690	1290	660	585	535	16-Ø39	950	50	4	700	860
450	1872	1422	685	610	560	20-Ø39	1050	57	4	800	1080
500	2185	1685	755	670	615	20-Ø42	1150	57	4	800	1350
600	2510	1910	890	795	735	20-Ø48	1350	72	5	800	2200

TECHNICAL DATA:

Body material	PN	Maximal working pressure at working temperature																
		20°C	100°C	150°C	200°C	250°C	300°C	350°C	400°C	450°C	480°C	500°C	510°C	520°C	530°C	540°C	550°C	560°C
1.0619	40	40,0	32,0	29,0	26,0	24,0	22,0	20,0	19,6	12,5	-	-	-	-	-	-	-	-
A217 WC6	40	40,0	40,0	40,0	37,6	36,1	34,6	32,3	30,1	28,6	25,2	17,6	15,1	13,8	12,0	-	-	-

MOUNTING AND OPERATING:

The gate can only be mounted and operated by skilled, properly trained and qualified personnel. Incorrect assembly or operation of the gate may have substantial impact on the entire system such as fluid leakage, reduction in system's function etc.

Before a gate is installed the pipeline must be clean from any mechanical impurities. The compatibility of critical parameters of the flow must be checked with the parameters of the gate. Gate can be mounted to a pipe-line in any position. The direction of the flow should only comply with the arrow marked on the body. The valve should be operated strictly with its assign. In order to provide gate's reliability the following suggestions must be observed:

- medium flowing through the gate is supposed to be clean out of any mechanical impurities;
- the valve must be protected from any mechanical damages during its work;
- nominal parameters marked on the valve must be observed