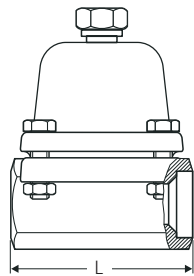
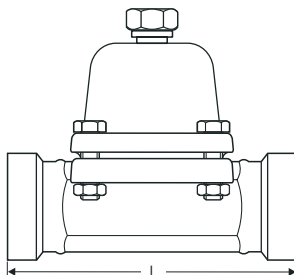


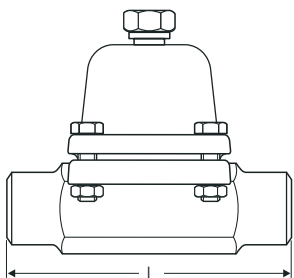
BK 15 with flanges, DN 40, 50



With socket-weld ends DN 40



With socket-weld ends DN 50



With butt-weld ends via transition pieces DN 40, 50

Steam Trap

BK 15 PN 40 DN 40, 50 DN (1½", 2")

Description

Thermostatic steam trap with corrosion-resistant Thermovit (Duo stainless steel) regulator unaffected by water hammer. The Thermovit regulator can be adjusted from the outside. With integral strainer and non-return valve action. Asbestos-free body gasket (graphite). Installation in any position. The steam trap is adjusted at our factory to discharge condensate with virtually no banking-up. More undercooling (banking-up) can be set manually from the outside during operation.

Pressure and temperature ratings/types of connection

BK 15, flange PN 40, EN 1092-1, butt-weld ends						
Pressure ¹⁾ p	[barg]	40	33,3	27.6	23.8	13.1
Temperature ¹⁾ T	[°C]	-10/20	200	300	400	450
Max. admissible differential pressure ΔPMX	[bar] [psi]	22 319				

¹⁾ Ratings for strength of body/cover to EN 1092-1

BK 15, flange class 300, ASME B16.5, screwed socket, socket-weld ends						
Pressure ¹⁾ p	[barg]	51.1	43.8	39.8	34.7	28.8
Temperature ¹⁾ T	[°C]	-29/38	200	300	400	425
Max. admissible differential pressure ΔPMX	[bar] [psi]	22 319				

¹⁾ Ratings for strength of body/cover to ASME B16.5

BK 15, flange class 150, ASME B16.5						
Pressure ¹⁾ p	[barg]	19.6	13.8	10.2	6.5	5.5
Temperature ¹⁾ T	[°C]	-29/38	200	300	400	425

¹⁾ Ratings for strength of body/cover to ASME B16.5

Materials	EN	ASTM
Body	1.0460	A 105
Cover	1.0460	A 105
Bolts	1.7225	A 193 B 7 ¹⁾
Nuts	1.7225	A 194 B 7 ¹⁾
Body gasket	Graphite	
Thermovit regulator	Stainless steel/Duo stainless steel	
Other inner parts	Stainless steel	

¹⁾ Pay attention to differences from EN in chemical and physical properties.

Dimensions and weights		Versions							
		EN flanges		Socket-weld ends		Butt-weld ends		Screwed sockets	
Nominal sizes	[mm]	40	50	40	50	40	50	40	50
	[inch]	1½	2	1½	2	1½	2	1½	2
Length	L	230	230	130	210	250	250	130	210
Butt-weld ends via transition pieces to DIN 3239						48.3 x 2.6	60.3 x 3.2		
Weight approx.	[kg]	11	12.5	6.3	7.7	6.8	7.5	6.3	7.7

Types of connection

Flanges: EN 1092-1, form B1, PN 40.
ASME B 16.5, 150 RF and 300 RF.

Socket-weld ends

Butt-weld ends

Screwed sockets: G and NPT threads

Steam Trap

BK 15
PN 40
DN 40, 50 DN (1½", 2")

Flow diagram

The diagram shows the maximum flow of hot and cold condensate at the factory setting (steam-tight seal).

Curve 1

Discharge without banking-up at a condensate temperature max. 10 K below boiling point.

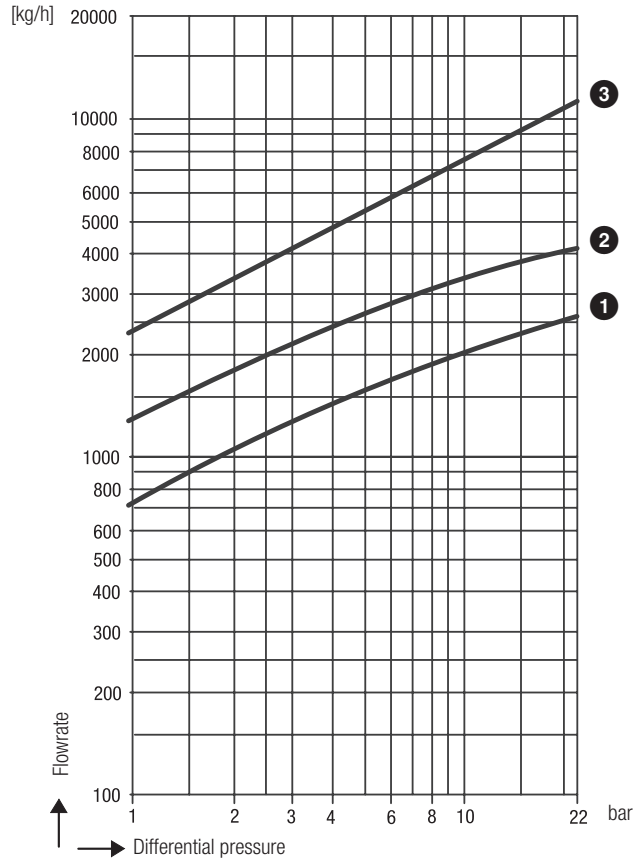
Curve 2

Condensate temperature 30 K below boiling point (due to banking-up).

Curve 3

Flow of cold condensate at 20 °C.

Flow diagram



Inspection & Certification

Documentation regarding material tests and in-house examination with test report EN10204 available. All inspection requirements have to be stated with the enquiry or order. After supply of the equipment certification cannot be established. Charges and extent of the above mentioned test certificates as well as the different tests confirmed therein are listed in our Price List "Test and Inspection Charges for Standard Equipment". For other tests and inspections than those listed above, please consult us.

Application of European Directives

Pressure Equipment Directive

The equipment conforms to this directive and can be used for the following fluids:

■ Group 2 fluids

ATEX Directive

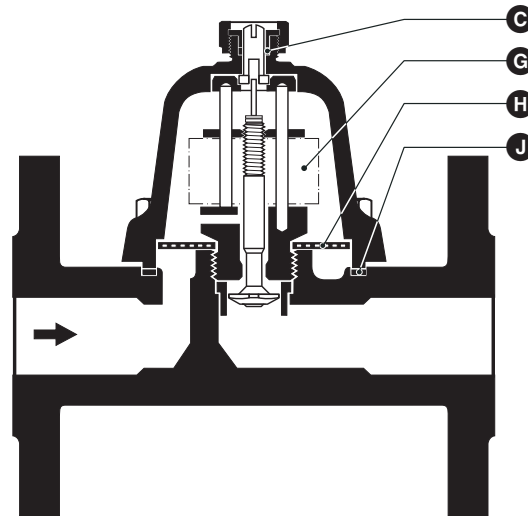
The equipment does not have its own potential ignition source and is therefore not subject to this directive.

Static electricity: Once installed, static electricity may arise between the equipment and the connected system.

During use in potentially explosive atmospheres, the discharge or prevention of possible electrostatic charging is the responsibility of the manufacturer or owner of the system.

If there is a possibility of fluid escaping, e.g. via actuating devices or leaks in screwed connections, the manufacturer or owner of the system must take this into consideration when dividing the area into zones.

Please note our terms of sale and delivery.



Item	Designation	Stock code
C	Gland seal tubes*)	376552
G	Thermovit regulator, set of gaskets	098847
H	Strainer, body gasket	375698
J	Body gasket *) 92.7 x 102 x 1, graphite	375699

*) Sold in box quantities of 20 per box. For smaller quantities, please contact your specialist retailer.

GESTRA AG

Münchener Strasse 77, 28215 Bremen, Germany
 Tel. +49 421 3503-0, Fax +49 421 3503-393
 e-mail info@de.gestra.com, Website www.gestra.com

