



Ad-/Absorption Filter ADF-PV-30-L

Gas analysis is a complex field. The sample gas to be analysed must be extracted and handled under quite diverse conditions to yield representative and reliable analysis results.

There frequently is a need to remove gaseous components from the sample gas through adsorption/absorption.

The ADF-PV-30 is a housing suitable for this application. Made from PVDF and glass and equipped with Unique quick-release fastener, it can be filled with various adsorbents/absorbents. The bottom gas inlet ensures sufficient contact times.

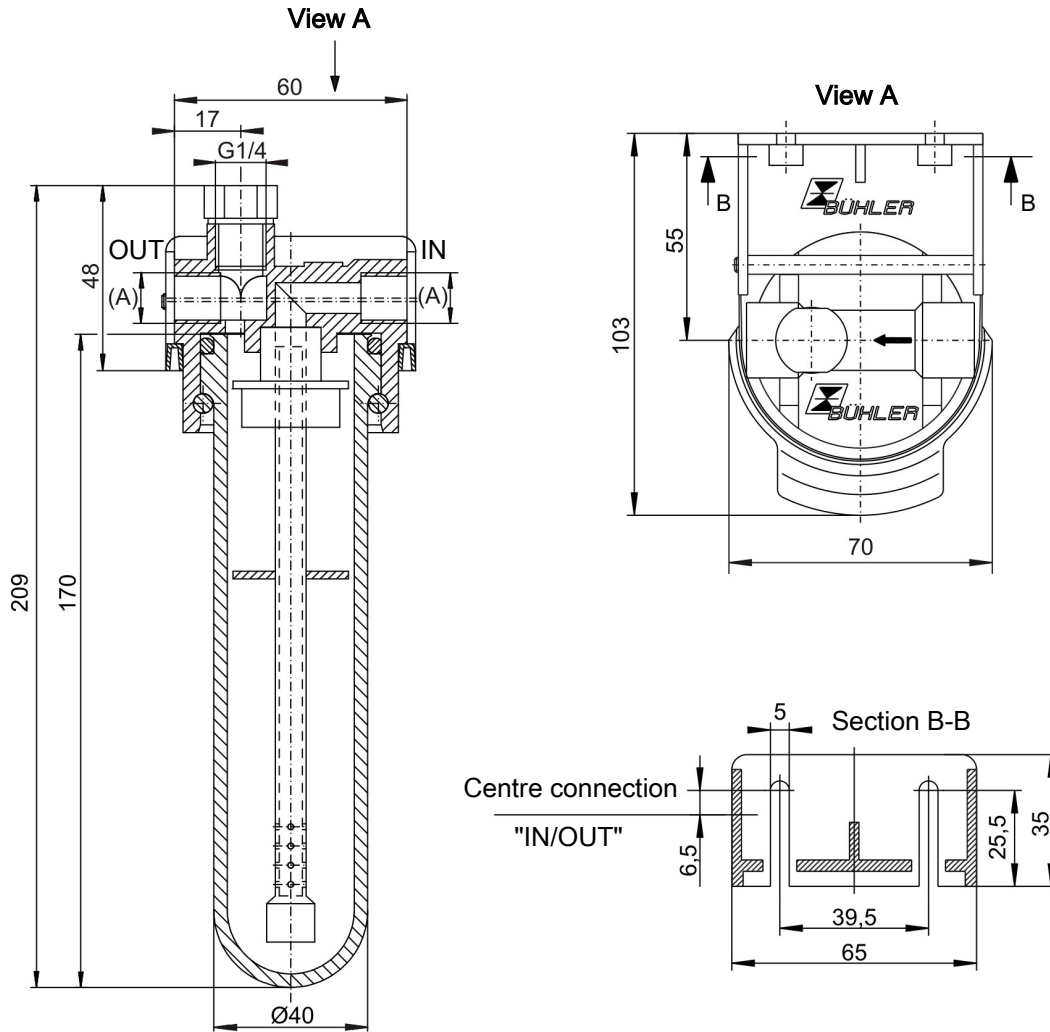
Bühler Unique quick-release fastener

Quick and easy filter material changes without tools

Variable wall mount



Dimensions



Technical Data

ADF-PV-30-L Ad-/Absorption Filter

| | |
|----------------------------|---|
| Material – Filter head | PVDF |
| Material – Filter cover | Glass |
| Material – Gasket | Viton |
| Thread | G1/4 or NPT 1/4" (see ordering information) |
| Weight | approx. 0.3 kg |
| Fill volume | 120 ml |
| Operating pressure max. | 4 bar |
| Operating temperature max. | 100 °C (without adsorbent/absorbent) |

Ordering instructions

Filter*

| Item no. | Model | Connections |
|------------|---------------|-------------|
| 41 52 099 | ADF-PV-30-L | G1/4 |
| 41 52 099I | ADF-PV-30-L-I | NPT 1/4" |

* without adsorbent/absorbent.