



Three Pieces Ball Valves IMF 1000 WOG

Size ¼" – 4" (DN 10 -100) Stainless Steel



Fig. 143IMF FULL BORE

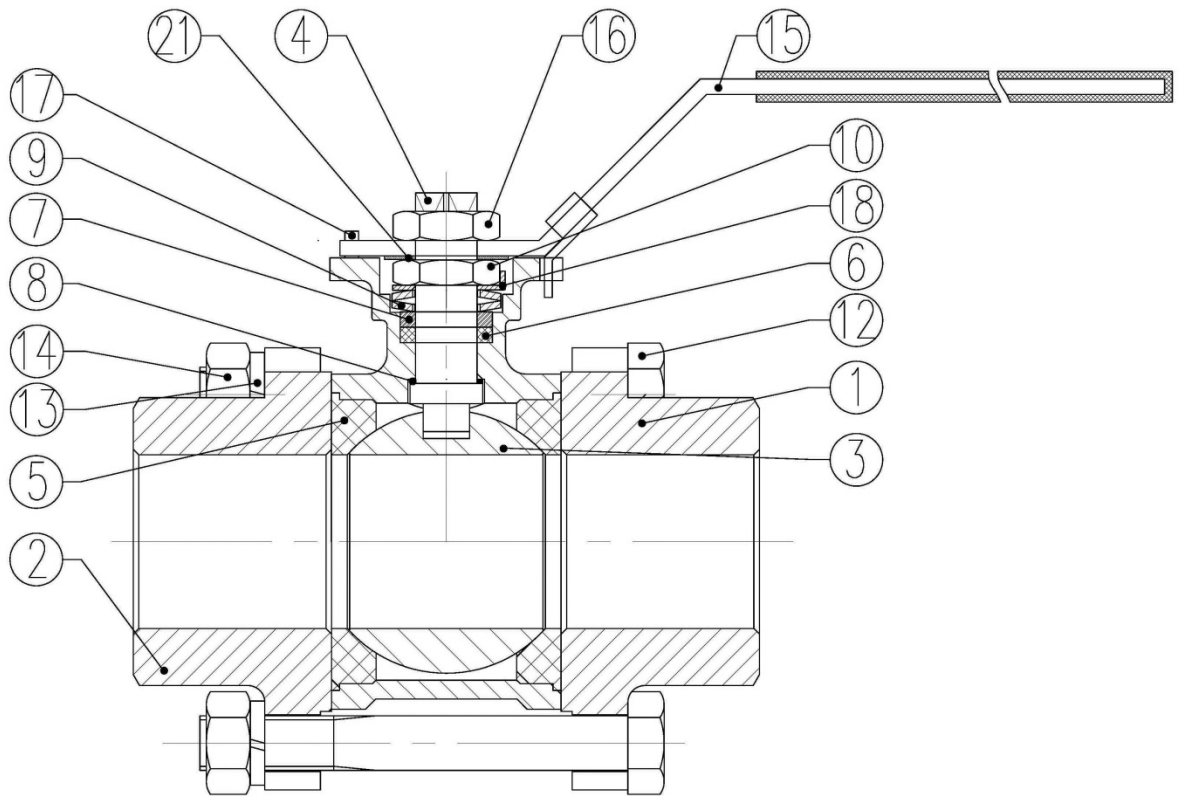
**Butt Weld according:
ASME B16.25 & DIN 3239 part 1**

CE

alnab

Three Pieces Ball Valves IMF 1000 WOG

Parts and materials

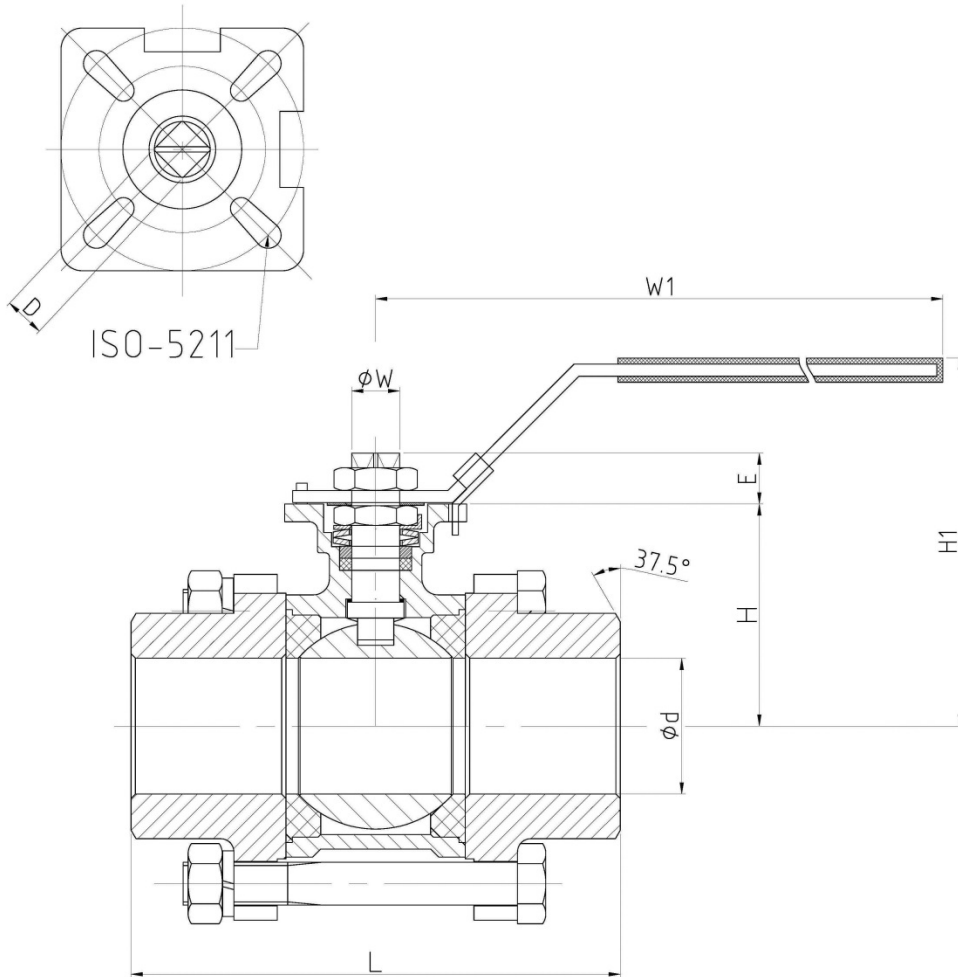


Item	Description	Material
1	Body	1.4408
2	Body connector	1.4408
3	Ball	1.4408
4	Stem	1.4401
5	Seat ring	PTFE
6	Stem packing	PTFE
7	Ring	AISI 304
8	Seat thrust seal	PTFE
9	Belleville washer	AISI 304
10	Gland Nut	AISI 304
12	Bolt	1.4301
13	Washer	AISI 304
14	Nut	1.4301
15	Handle	AISI 304+PVC
16	Handle nut	AISI 304
17	Stop pin	AISI 304
18	Locking washer	AISI 304
21	Washer	AISI 304

Three Pieces Ball Valves IMF

1000 WOG

Dimensions



Dimensions

SIZE	Ød	L	W1	H1	H	E	D	ISO 5211	WEIGHT
¼" (DN 8)	10,8	60	143	70	38,5	9	9	F04/03	0,59
⅜" (DN 10)	12,5	60	143	70	38,5	9	9	F04/03	0,58
½" (DN 15)	15	70	143	70	38,5	9	9	F04/03	0,57
¾" (DN 20)	20	85	143	79	47,5	9	9	F04/03	0,71
1" (DN 25)	25	95	163	95	59	11	11	F05/04	1,03
1¼" (DN 32)	32	110	163	95	63,5	11	11	F05/04	1,56
1½" (DN 40)	38	120	188	116	79	15	14	F07/05	2,5
2" (DN 50)	50	142	188	124	86,5	15	14	F07/05	3,44
2½" (DN 65)	64	166	350	141	109,1	17	17	F10/07	6,4
3" (DN 80)	76	182	350	149	117	17	17	F10/07	11,2
4" (DN 100)	94	227	350	173	136	22	22	F12/10	22

(*) Dimensions in mm and weight in kg.

Note:

Dimensions not subject to International Standards can vary in $\pm 10\%$. ICP reserves the right to change those dimensions without notice, due to they do not affect integrity and performance of the valves.

Three Pieces Ball Valves IMF 1000 WOG

Torque, Kv, P&T Rating, Actreg Actuator

Torque Values in Nm

VALVE SIZE	AT DIFFERENTIAL PRESSURE	
	63 bar	25 bar
1/4" (DN 8)	4,9	58,3
3/8" (DN 10)	4,9	86,8
1/2" (DN 15)	4,9	122,6
3/4" (DN 20)	6,5	
1" (DN 25)	13,7	
1 1/4" (DN 32)	21,6	
1 1/2" (DN 40)	29,5	
2" (DN 50)	47	

Kv Values in m³/h

VALVE SIZE	Kv	VALVE SIZE	Kv
1/4" (DN 8)	6,6	1 1/2" (DN 40)	80,0
3/8" (DN 10)	6,6	2" (DN 50)	150,0
1/2" (DN 15)	11,2	2 1/2" (DN 65)	265,0
3/4" (DN 20)	21,0	3" (DN 80)	415,0
1" (DN 25)	34,0	4" (DN 100)	780,0
1 1/4" (DN 32)	57,0		

Pressure-Temperature

P Bar

